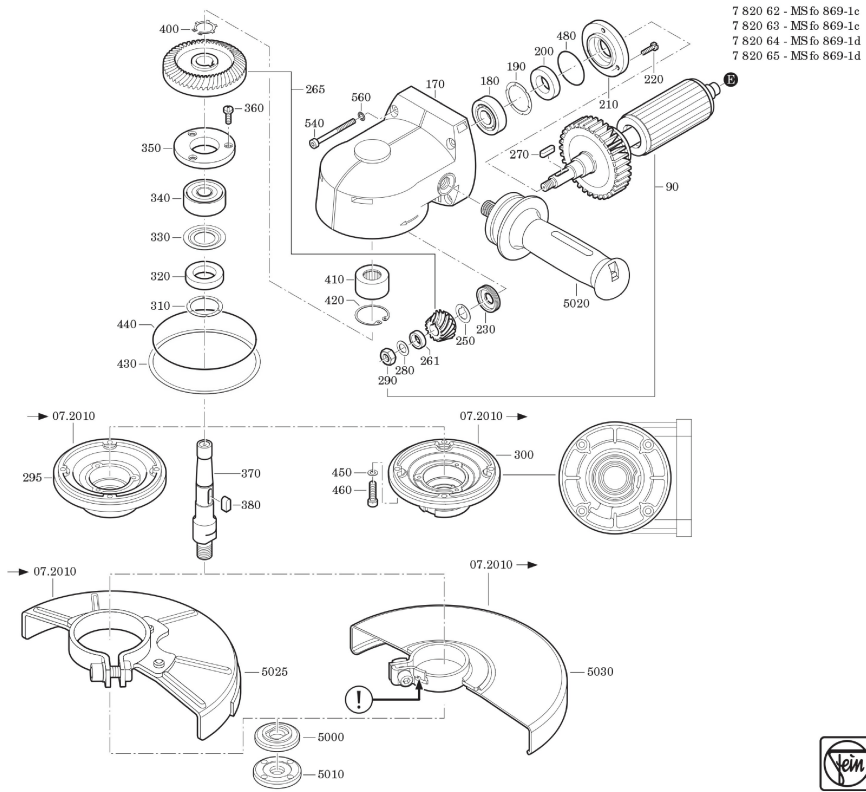


Type: MSfo 869-1d (200Hz, 135V)
Part no.: 78206400170



Type: MSfo 869-1d (200Hz, 135V)
Part no.: 78206400170

