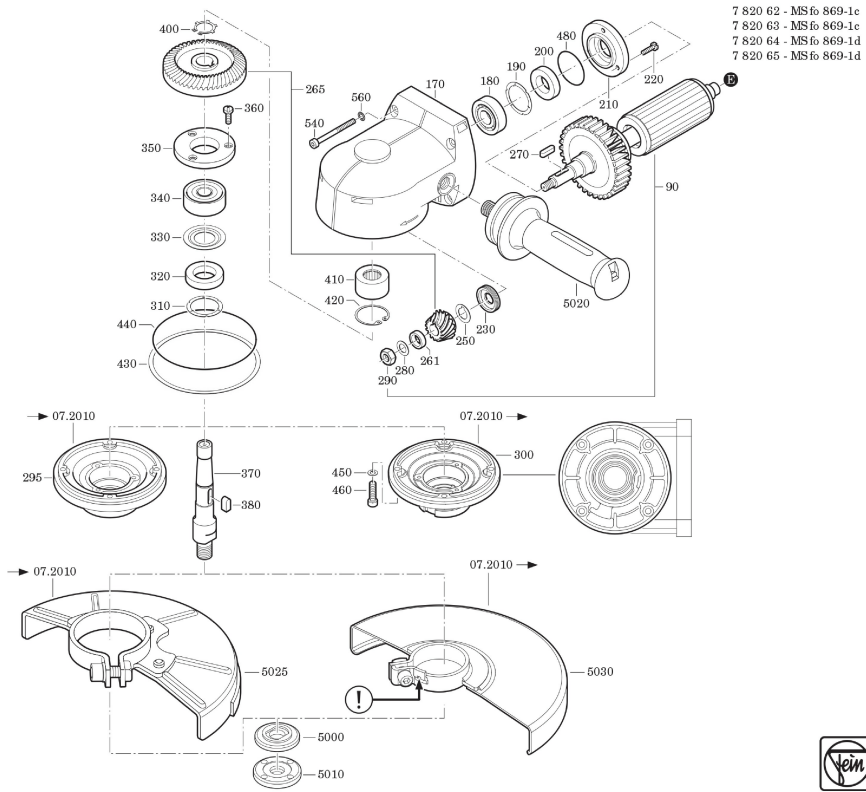


**Type:** MSfo 869-1d (300Hz, 200V)  
**Part no.:** 78206509260



**Type:** MSfo 869-1d (300Hz, 200V)  
**Part no.:** 78206509260

