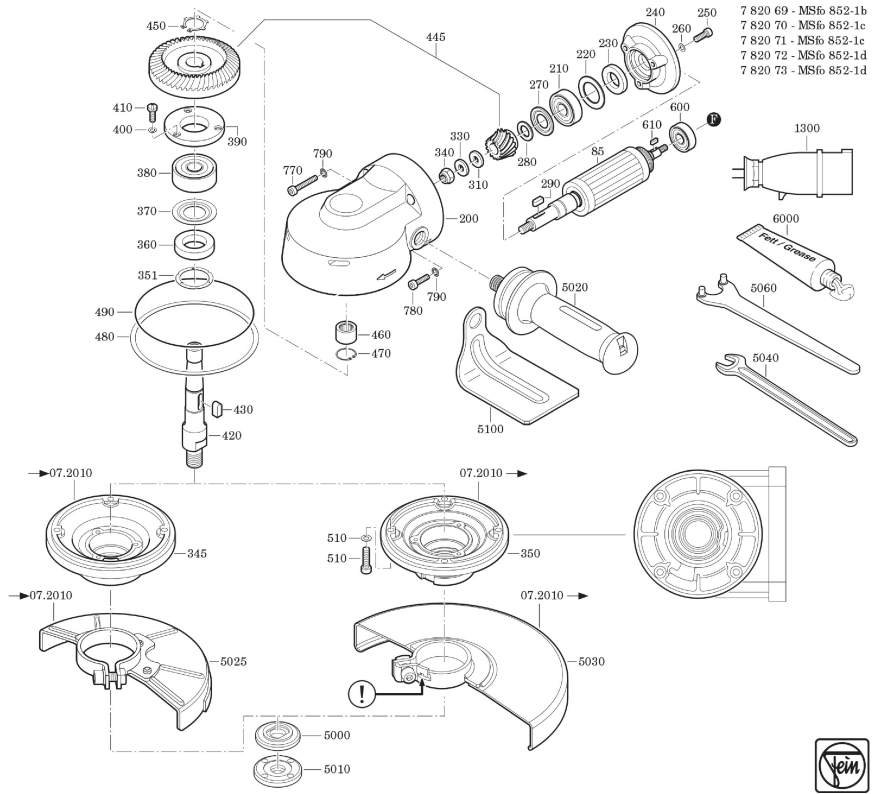


Type:
Part no.:

MSfo 852-1c (200Hz, 265V)
78207000200



Type:
Part no.:

MSfo 852-1c (200Hz, 265V)
78207000200

