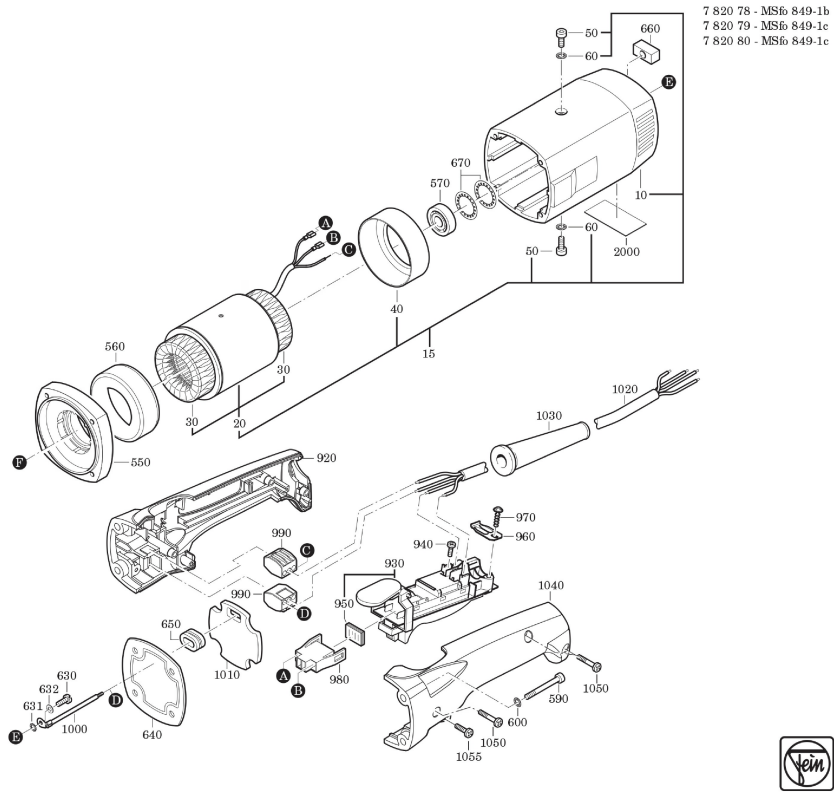


Type: MSfo 849-1b (300Hz, 200V)
Part no.: 78207800260



Type: MSfo 849-1b (300Hz, 200V)
Part no.: 78207800260

