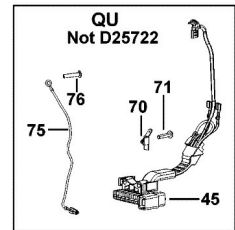
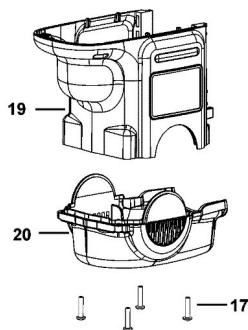
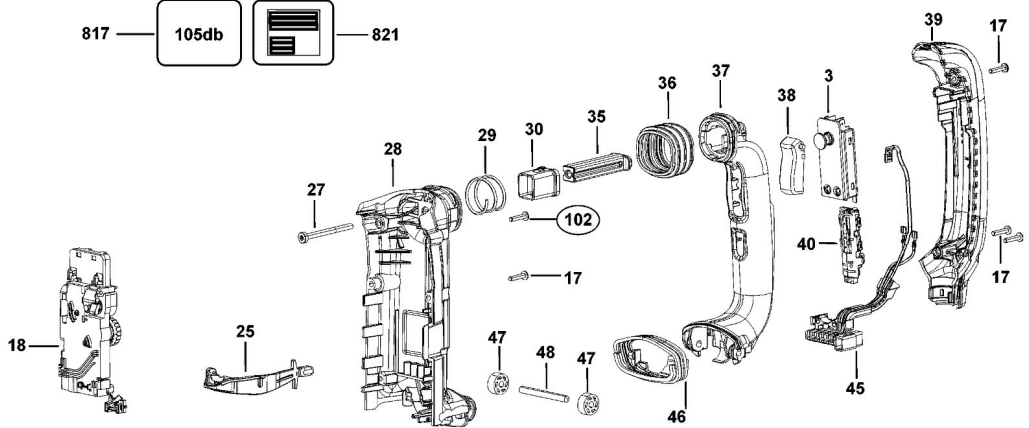
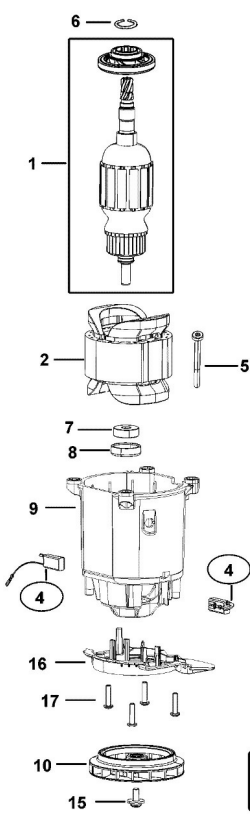


©



XXX = 847

©

