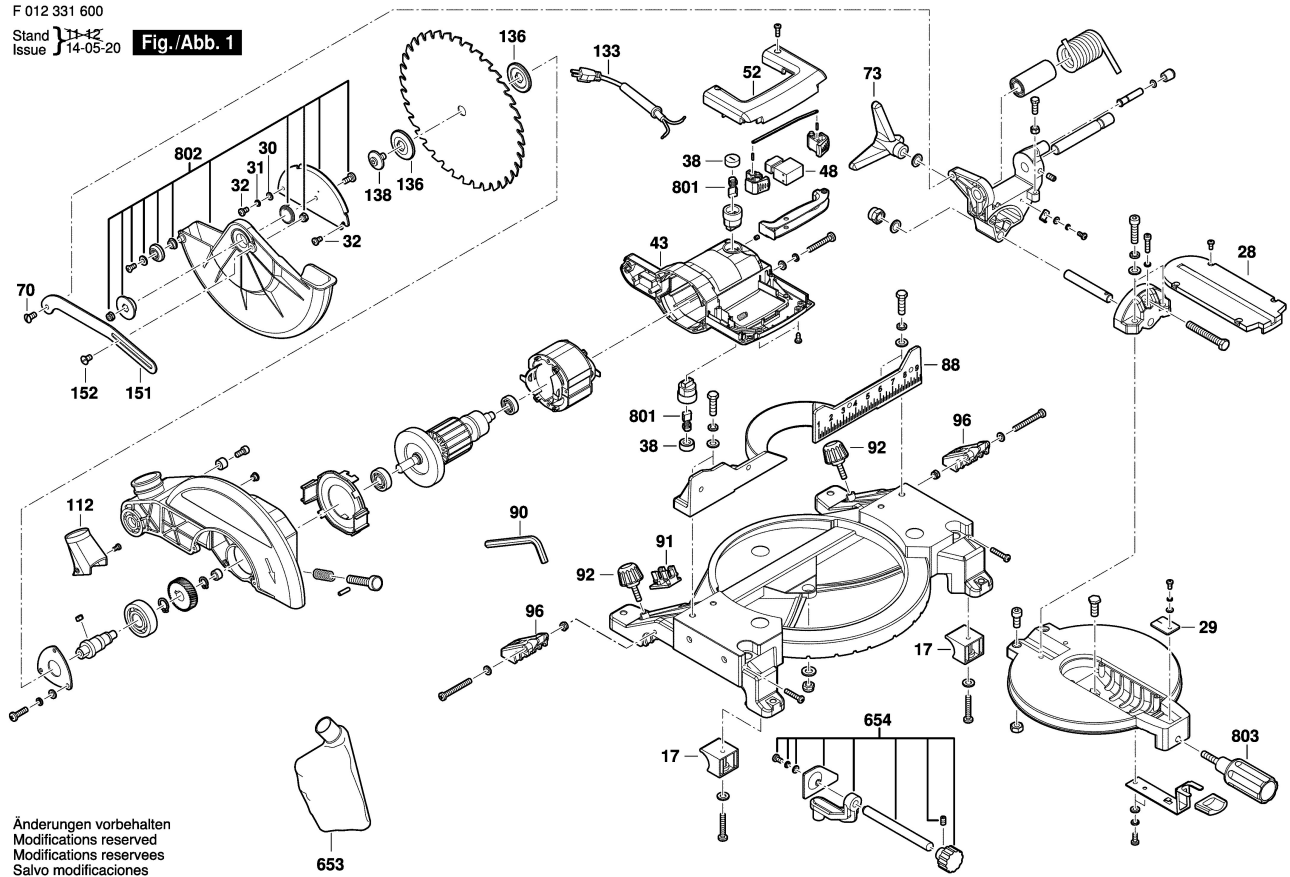


F 012 331 600

Stand 11-12
Issue 14-05-20

Fig./Abb. 1



Änderungen vorbehalten
Modifications reserved
Modifications reserves
Salvo modificaciones

653