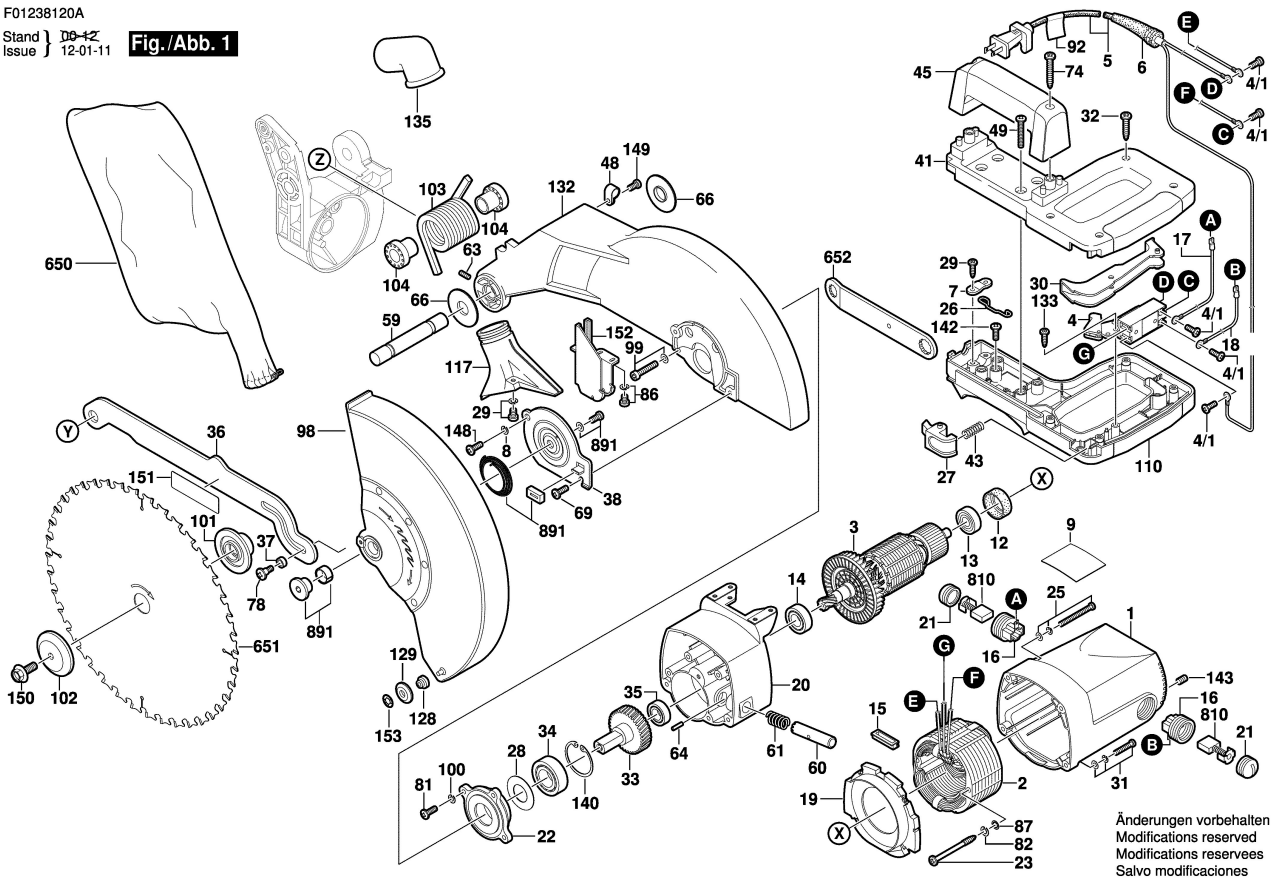


F01238120A

Stand } 00-12
Issue } 12-01-11

Fig./Abb. 1



F01238120A

Stand } 00-12-07
Issue } 00-12-07

Fig./Abb. 2

