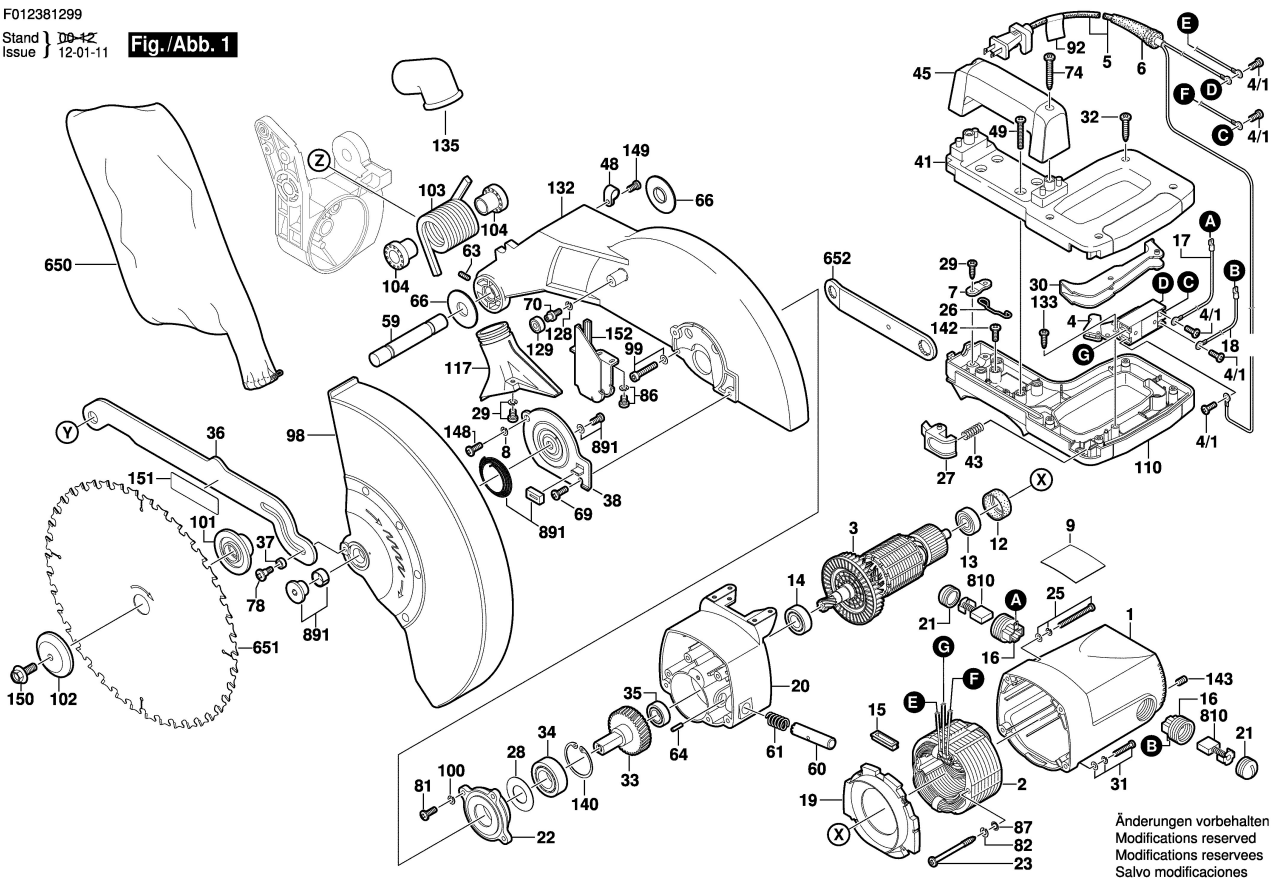


F012381299

Stand 00-12
Issue 12-01-11

Fig./Abb. 1



F012381299

Stand 00-12-07
Issue 12-01-11

Fig./Abb. 2

