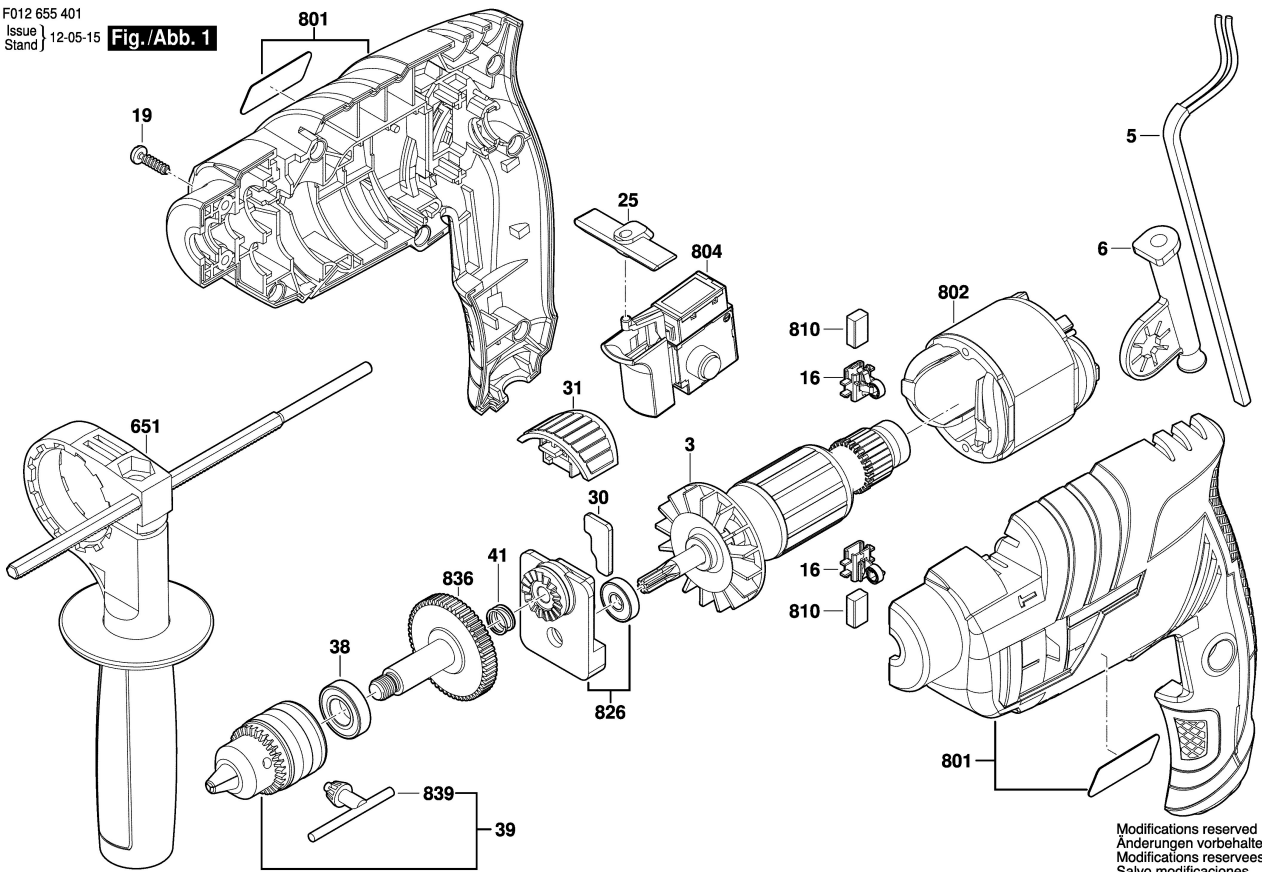


F012 655 401  
Issue 12-05-15  
Stand

Fig./Abb. 1



Modifications reserved  
Änderungen vorbehalten  
Modifications reserves  
Salvo modificaciones