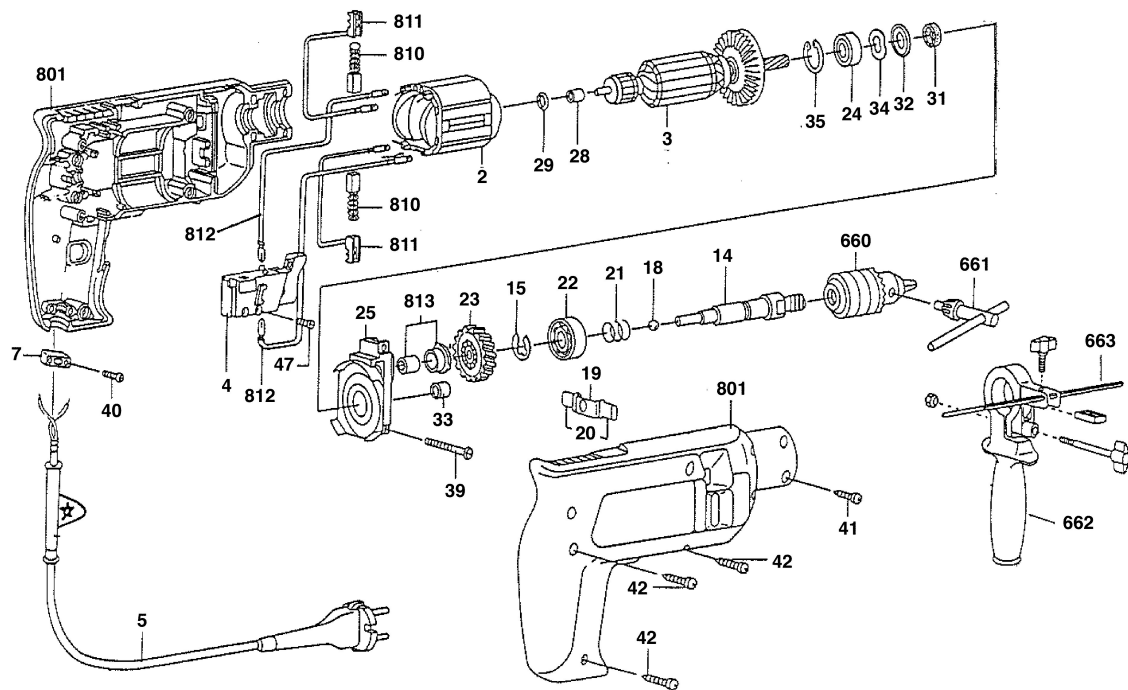


F 012 684 380

Issue } 11-05  
Stand } 01-06-12

**Fig.1/Abb.1**



Änderungen vorbehalten  
Modifications reserved  
Modifications reserves  
Salvo modificaciones