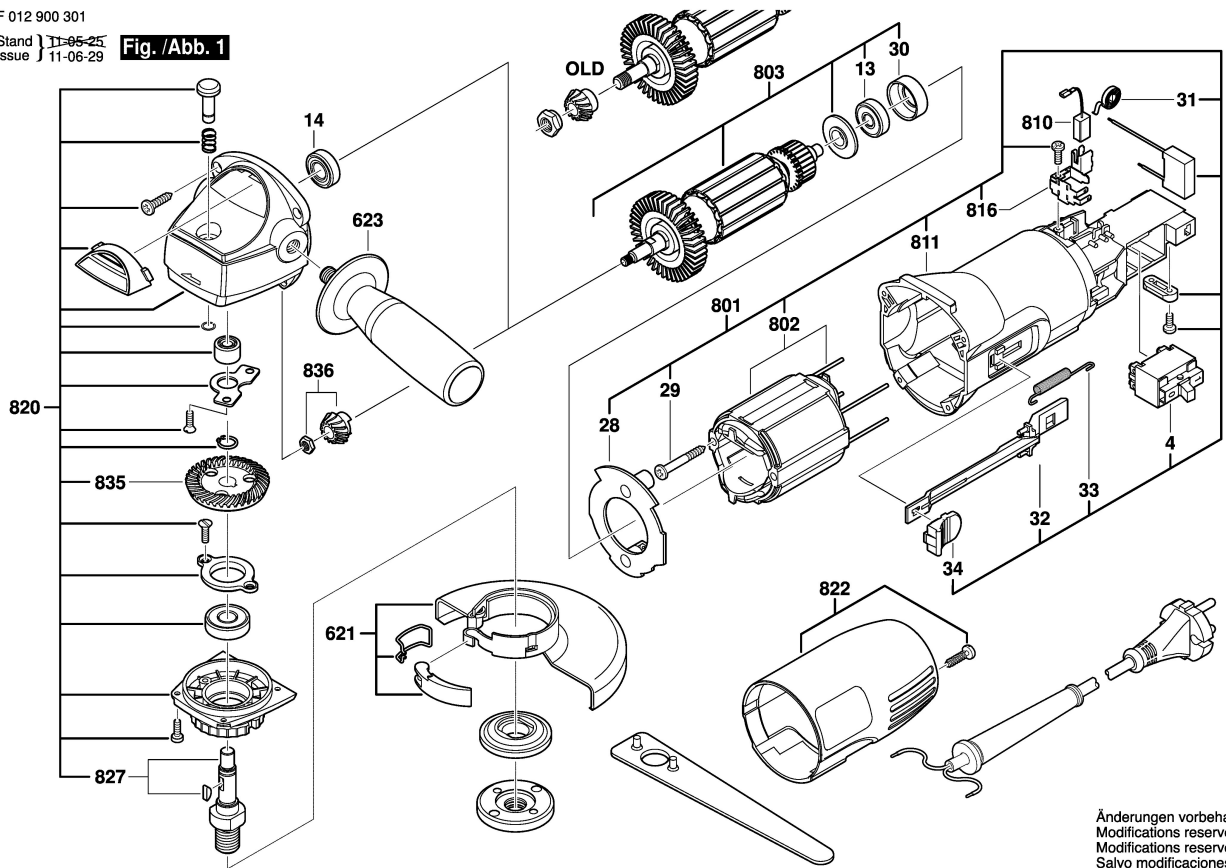


F 012 900 301

Stand 11-05-25
Issue J 11-06-29

Fig. /Abb. 1



Änderungen vorbehalten
Modifications reserved
Modifications reserves
Salvo modificaciones