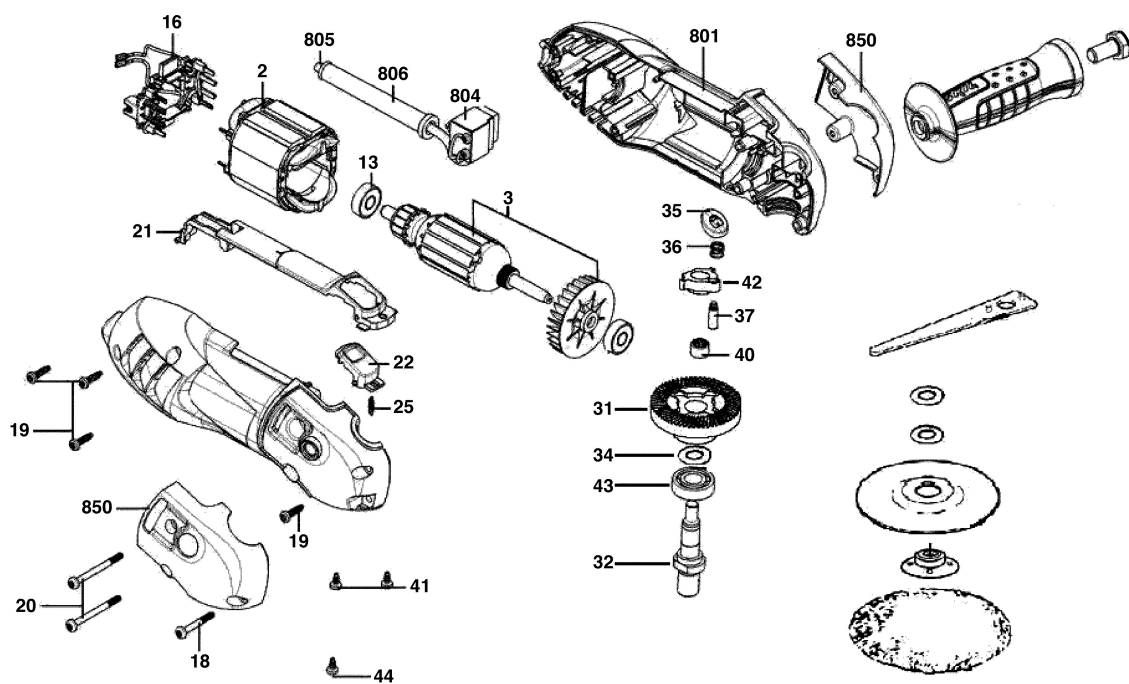


F 012 905 000

Stand Issue J 09-01-19

Fig./Abb. 1



Änderungen vorbehalten
Modifications reserved
Modifications reserves
Salvo modificaciones