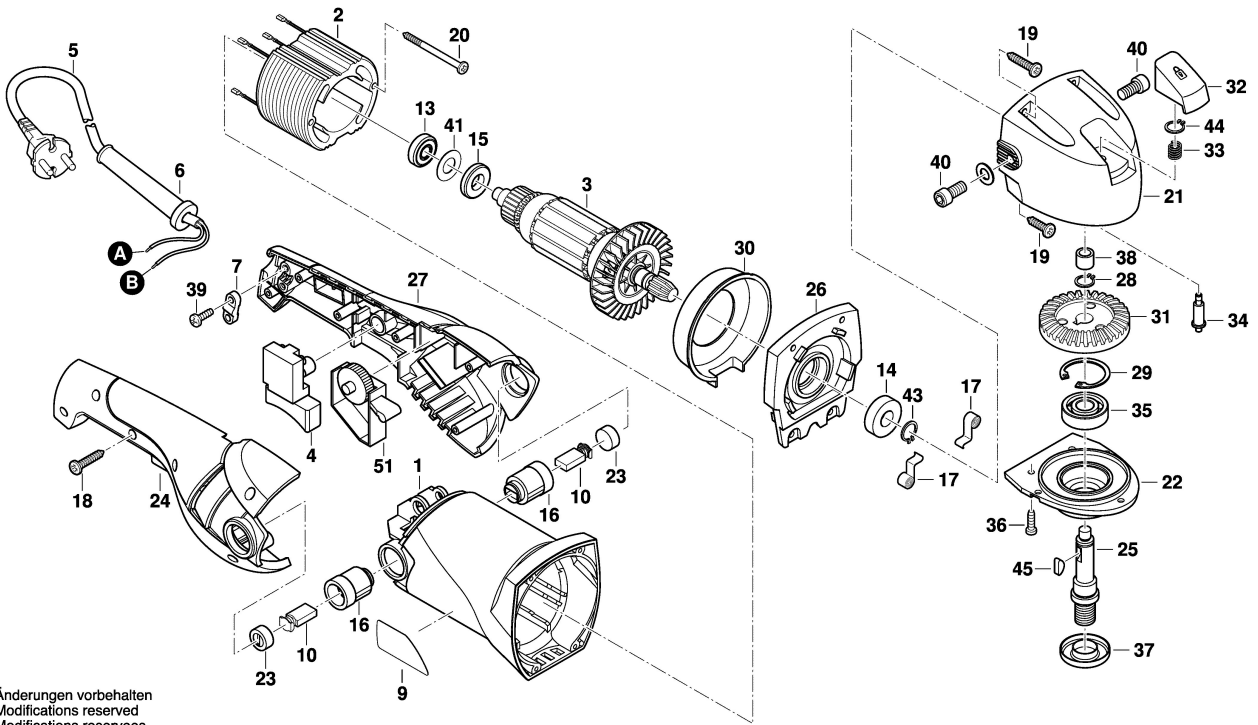


F 012 907 101

Stand } 11-10-20  
Issue } 11-11-14

Fig./Abb. 1



Änderungen vorbehalten  
Modifications reserved  
Modifications reserves  
Salvo modificaciones