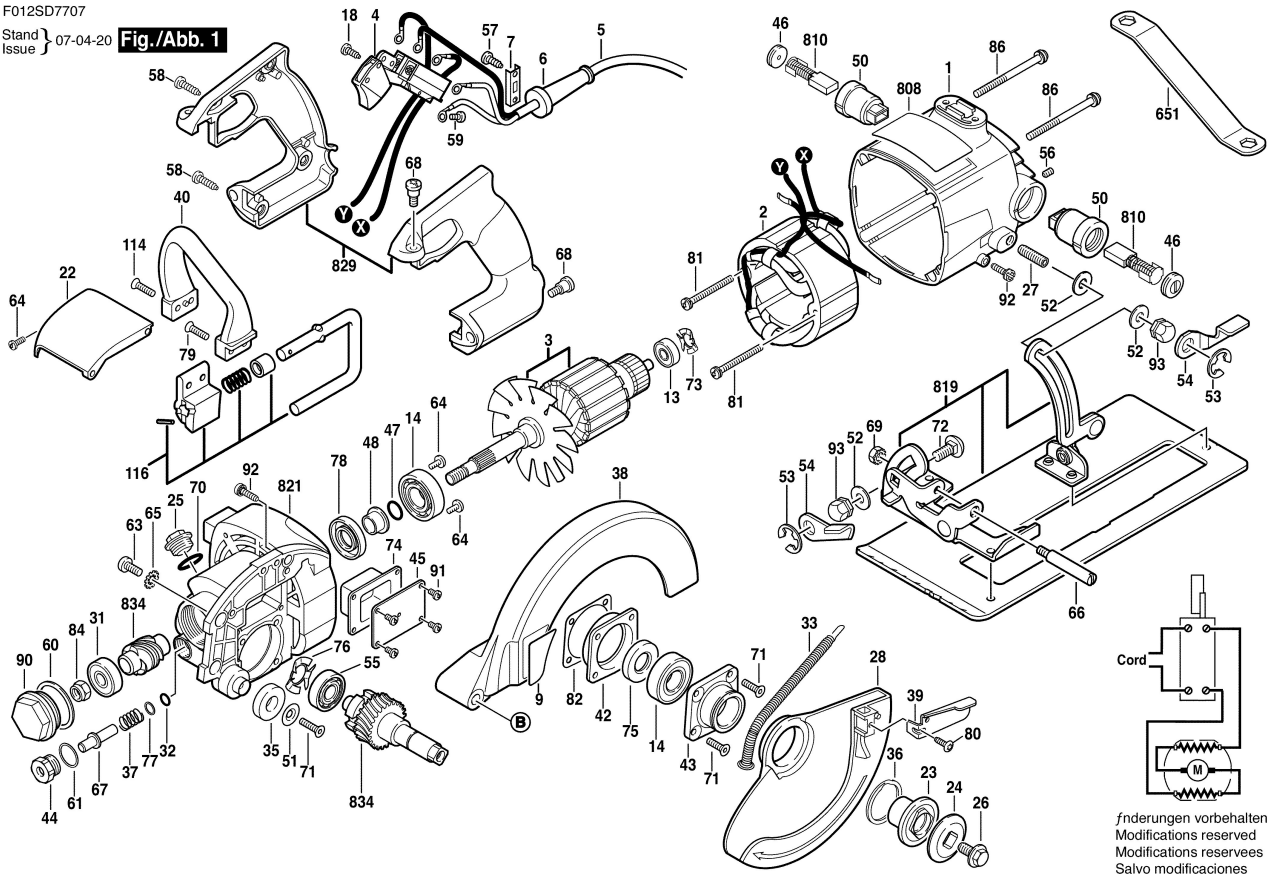


F012SD7707

Stand Issue 07-04-20

Fig./Abb. 1



Änderungen vorbehalten  
Modifications reserved  
Modifications reserves  
Salvo modificaciones