

Fig./Abb. 1

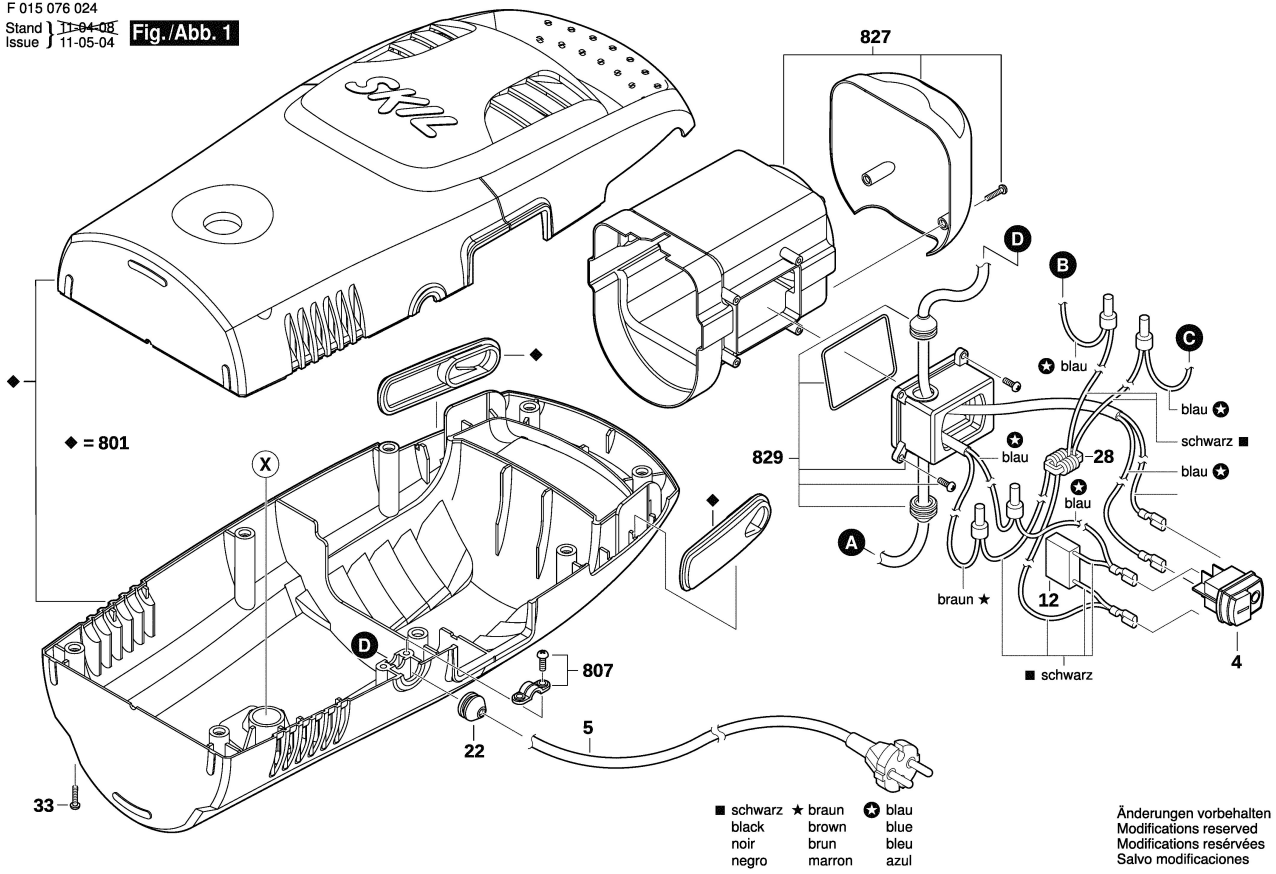
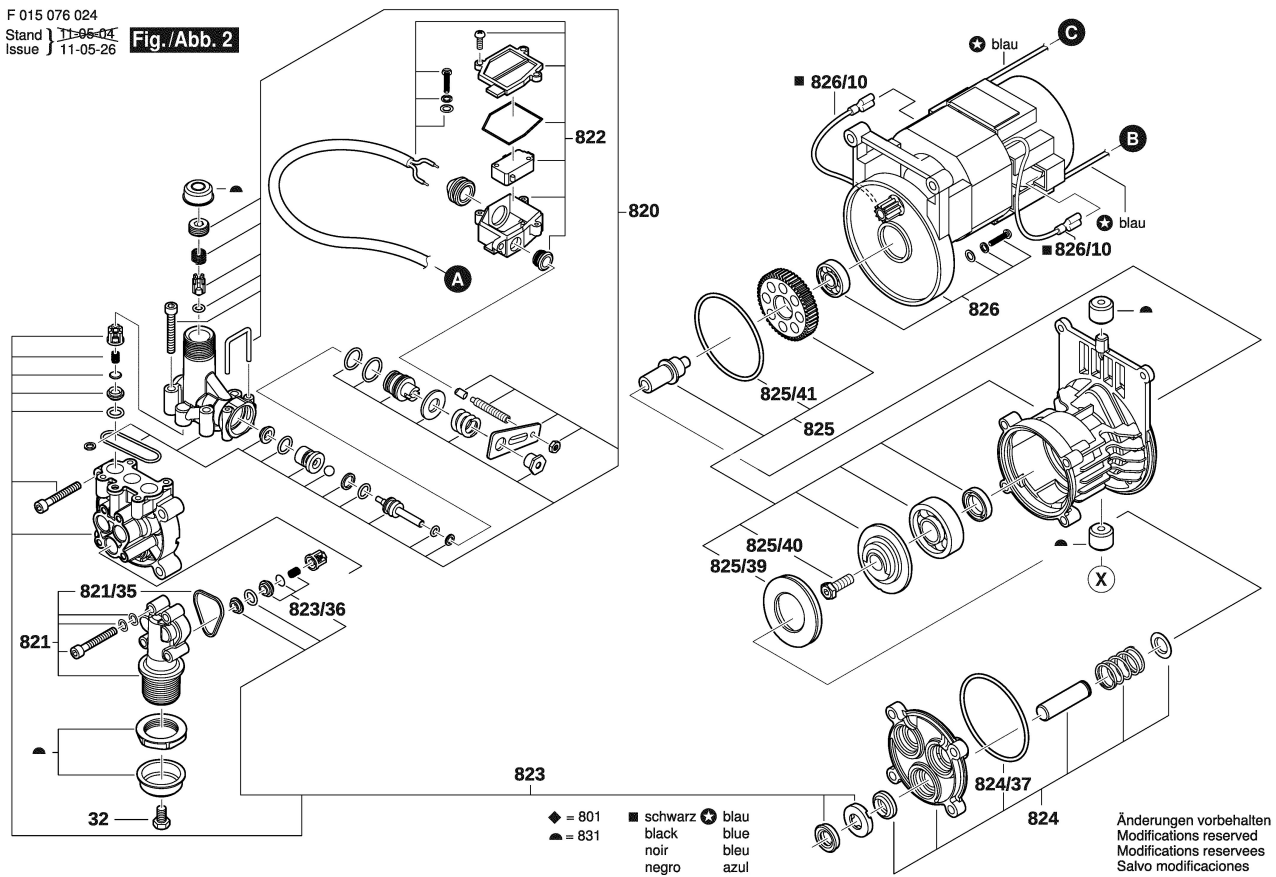


Fig./Abb. 2



F 015 076 024
Stand | 1-98
Issue | 12-05-30

Fig./Abb. 3

