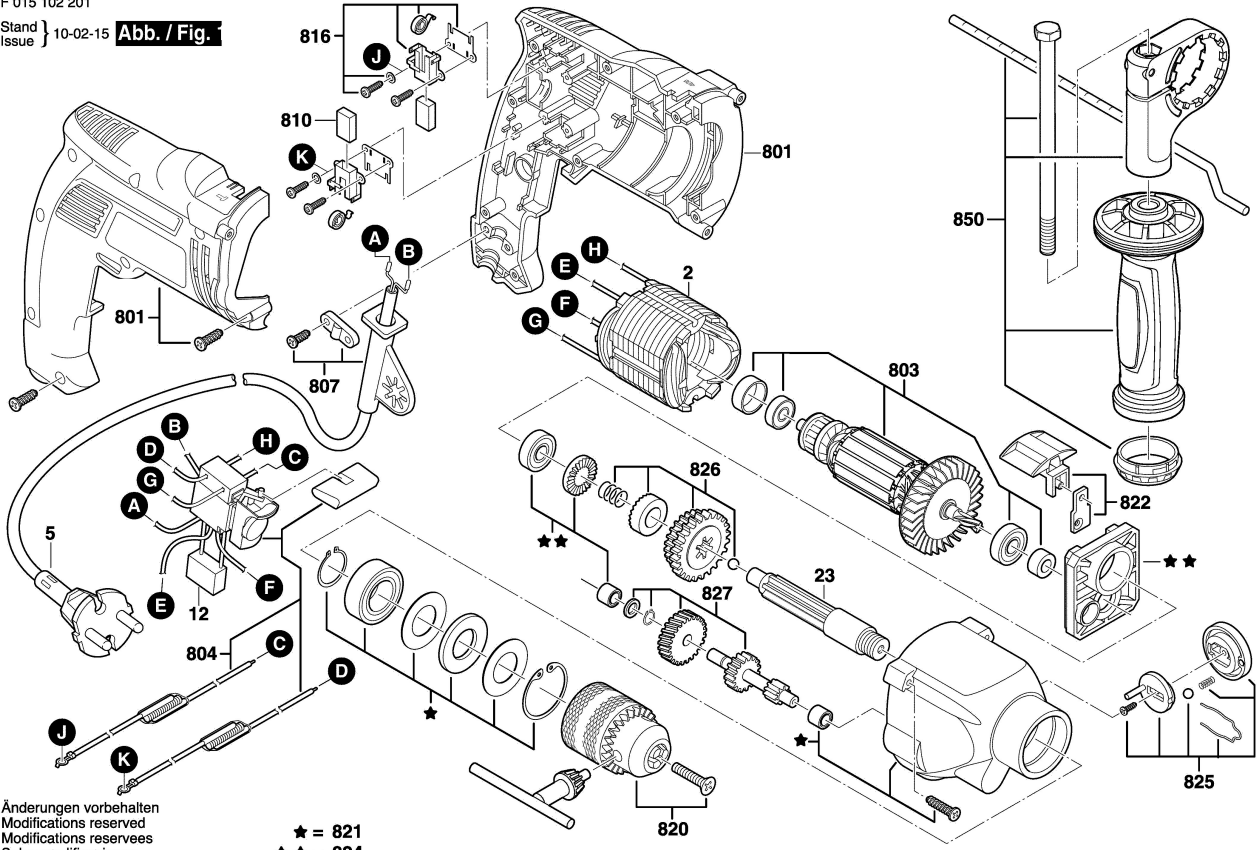


F 015 102 201

Stand } 10-02-15 Abb. / Fig.  
Issue }



Änderungen vorbehalten  
Modifications reserved  
Modifications reserves  
Salvo modificaciones

★ = 821  
★★ = 824