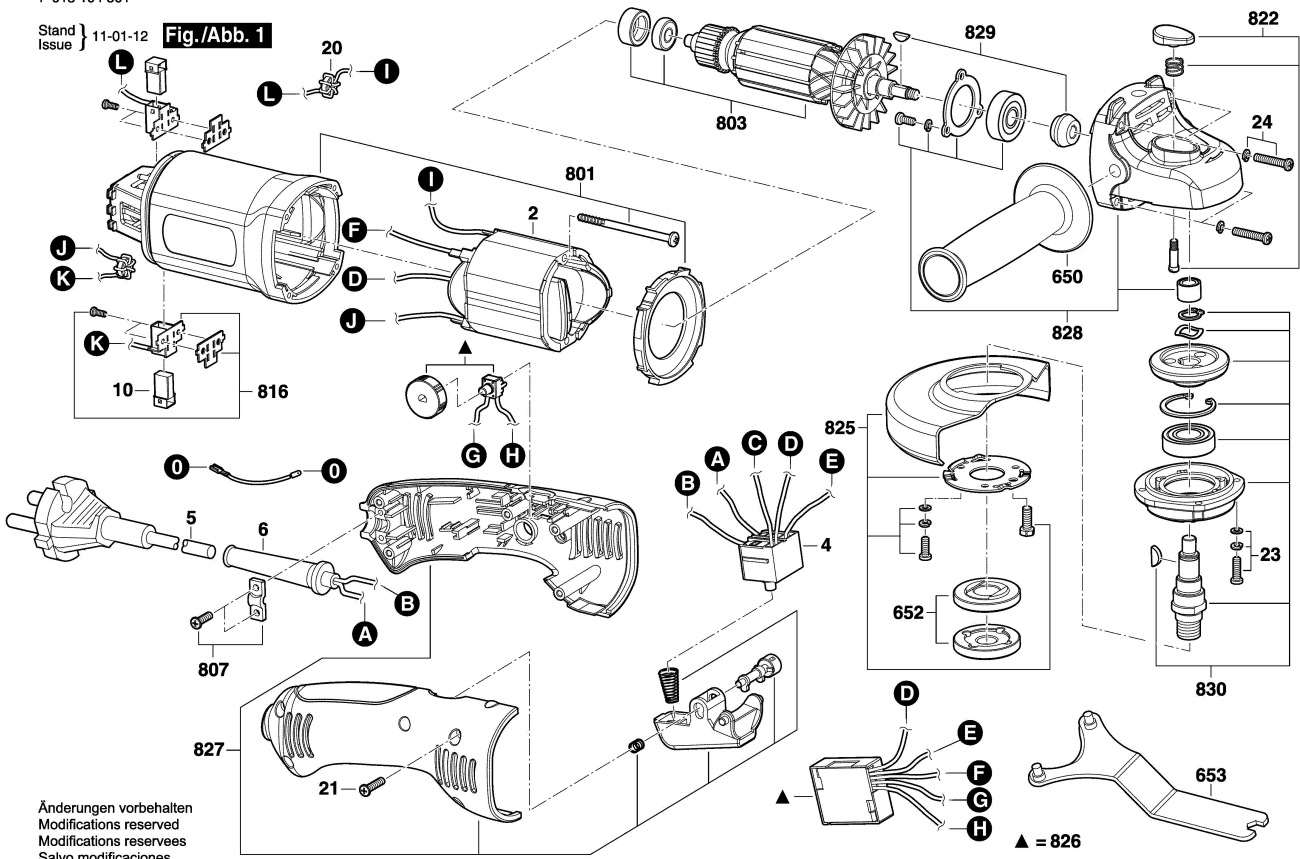


F 015 104 501

Stand Issue } 11-01-12 Fig./Abb. 1



Änderungen vorbehalten  
Modifications reserved  
Modifications reserves  
Salvo modificaciones