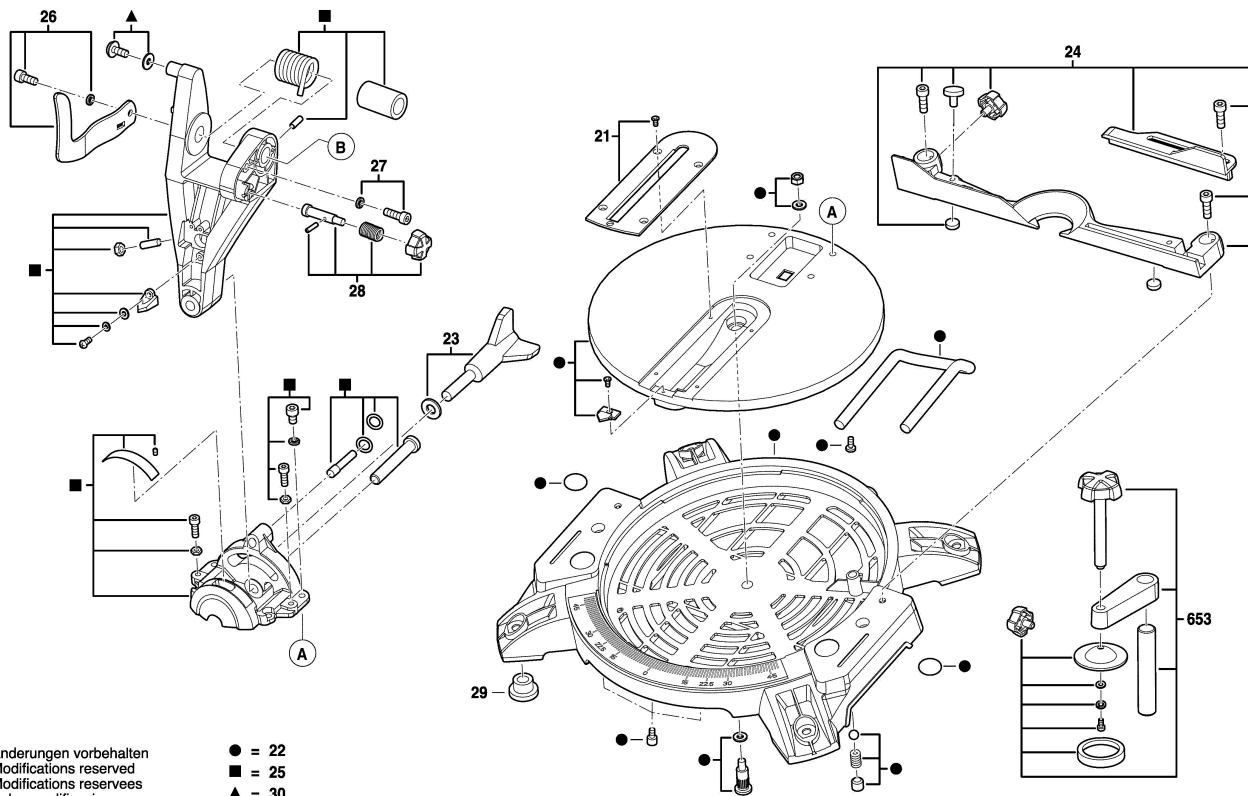


F 015 113 101

Stand } 11-04-01
Issue }

Fig./Abb. 1



F 015 113 101

Stand } 11-04-04
Issue }

Fig./Abb. 2

