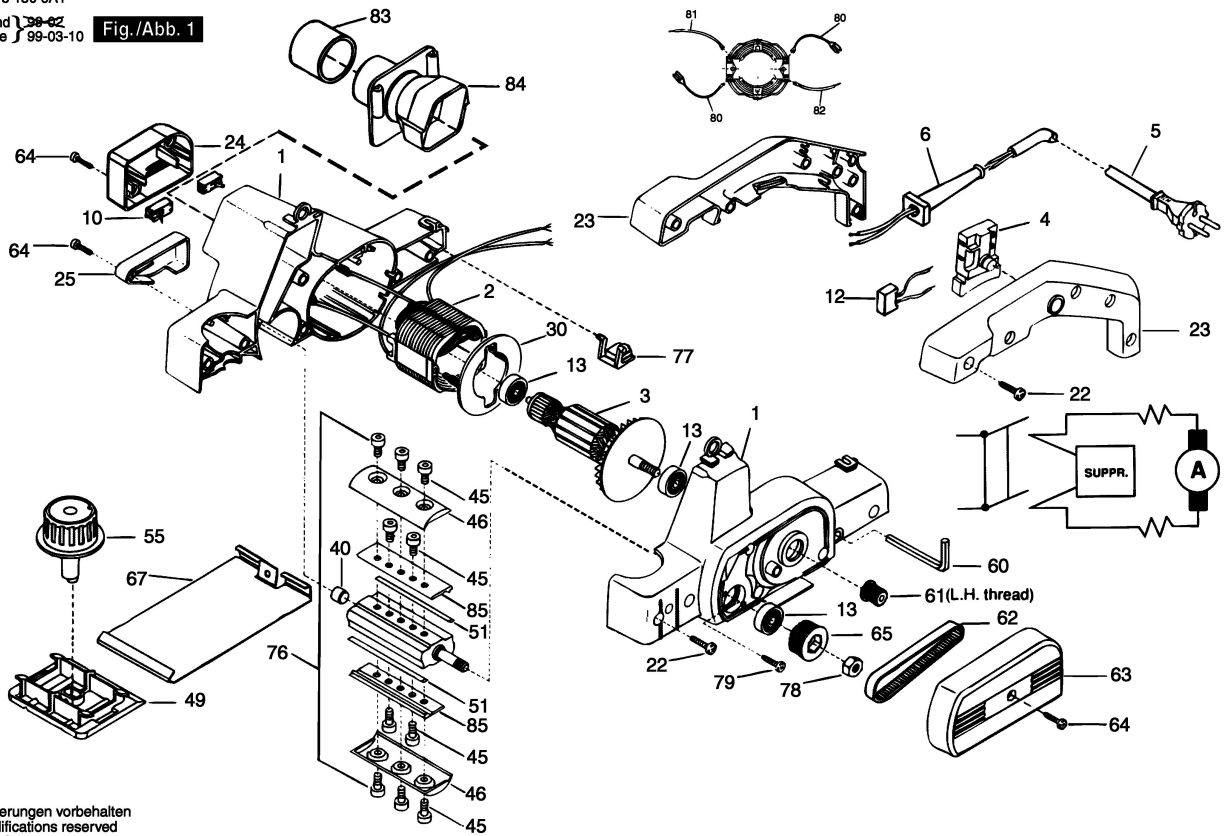


F 015 150 6A1  
 Stand 1992  
 Issue 99-03-10

Fig./Abb. 1



Änderungen vorbehalten  
 Modifications reserved  
 Modifications reserves  
 Salvo modificaciones