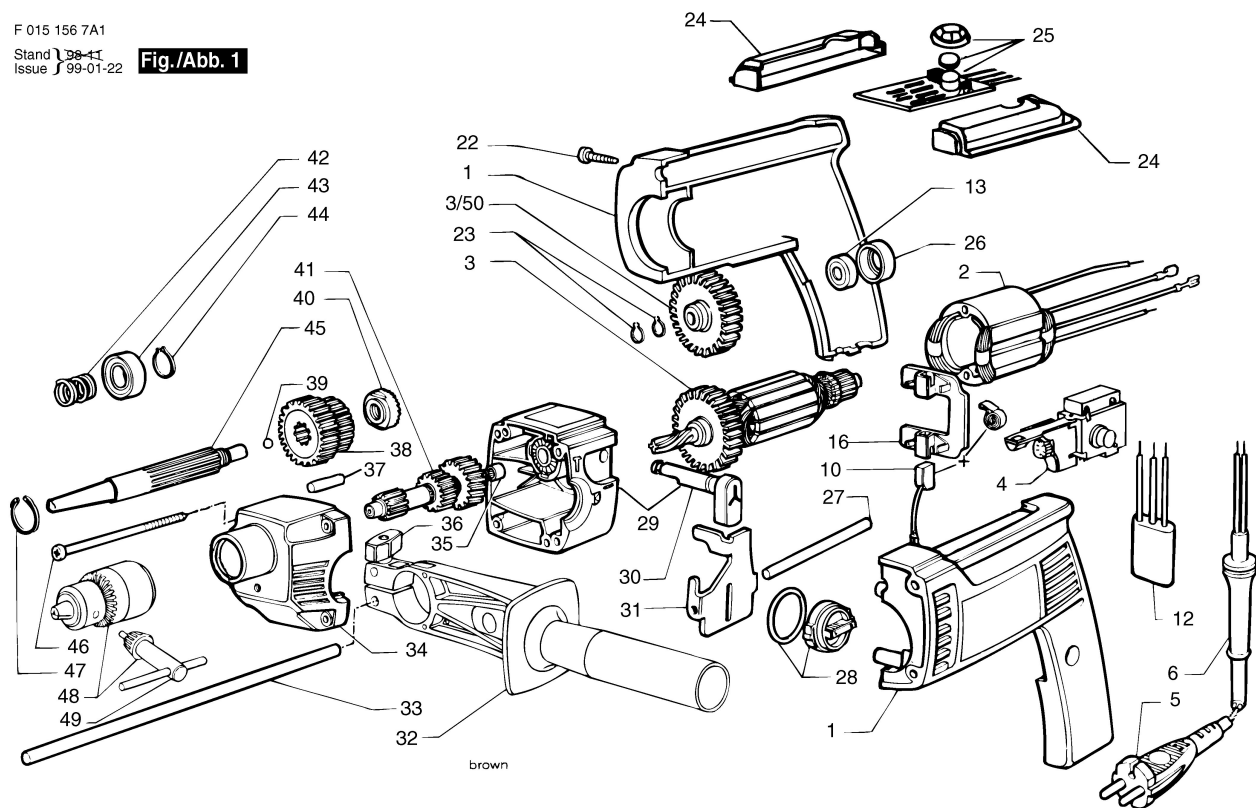


F 015 156 7A1
Stand 38-11
Issue J 99-01-22

Fig./Abb. 1



brown

Änderungen vorbehalten
Modifications reserved
Modifications reserves
Salvo modificaciones