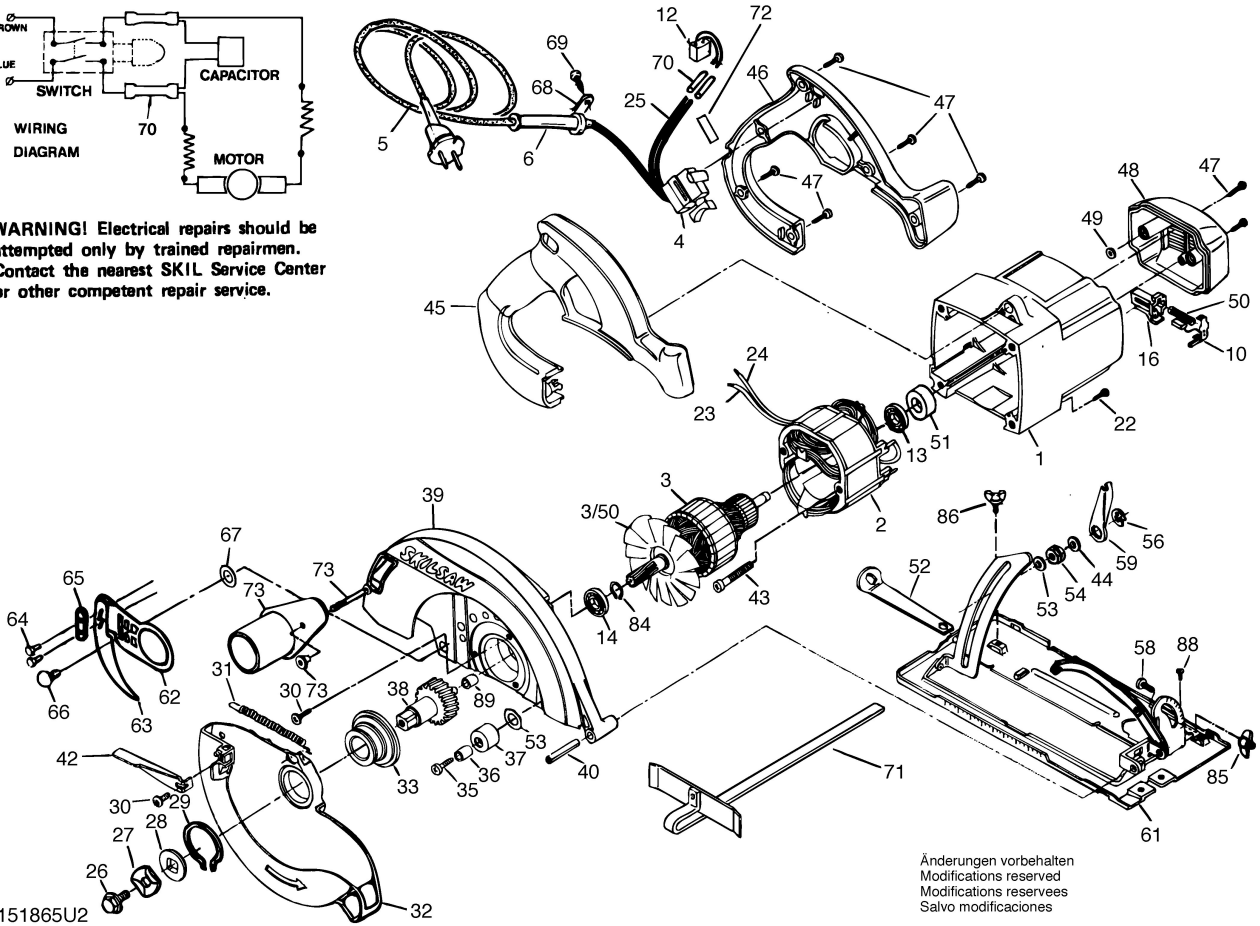


**WARNING!** Electrical repairs should be attempted only by trained repairmen. Contact the nearest SKIL Service Center or other competent repair service.



F0151865U2

Änderungen vorbehalten  
 Modifications reserved  
 Modifications reserves  
 Salvo modificaciones