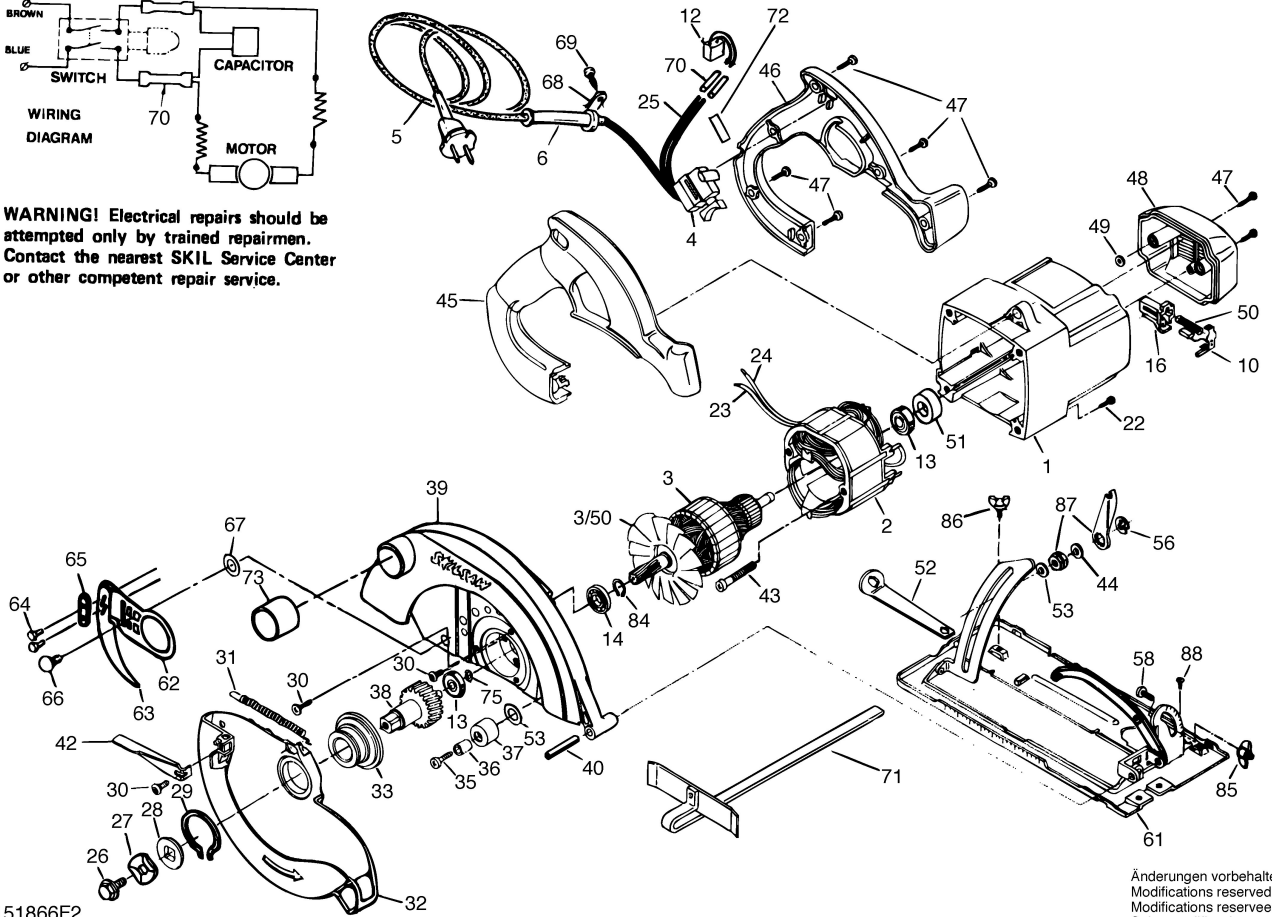


WARNING! Electrical repairs should be attempted only by trained repairmen. Contact the nearest SKIL Service Center or other competent repair service.



F0151866F2

Änderungen vorbehalten
Modifications reserved
Modificaciones reservadas
Salvo modificaciones