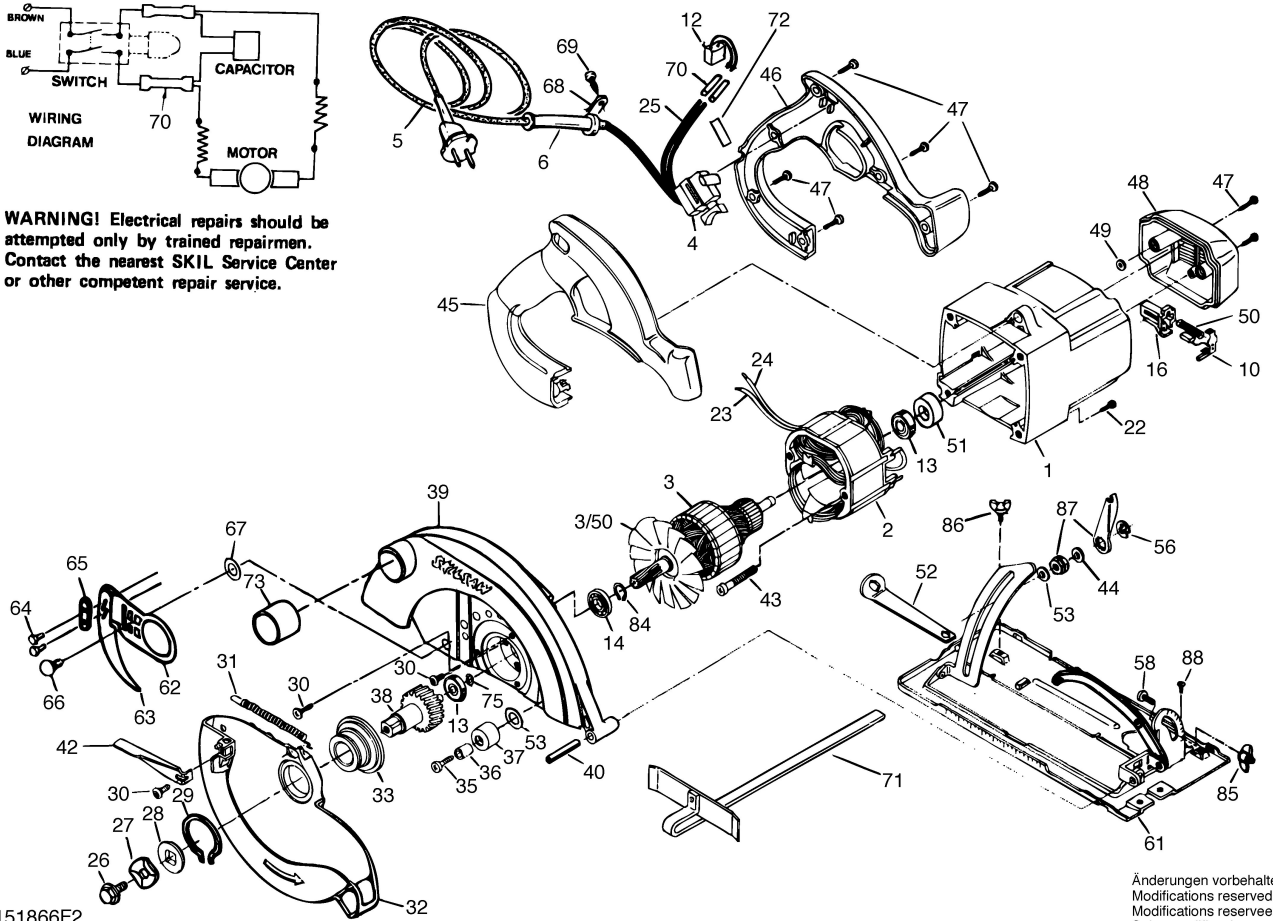


**WARNING!** Electrical repairs should be attempted only by trained repairmen. Contact the nearest SKIL Service Center or other competent repair service.



F0151866F2

Änderungen vorbehalten  
Modifications reserved  
Modificaciones reservadas  
Salvo modificaciones