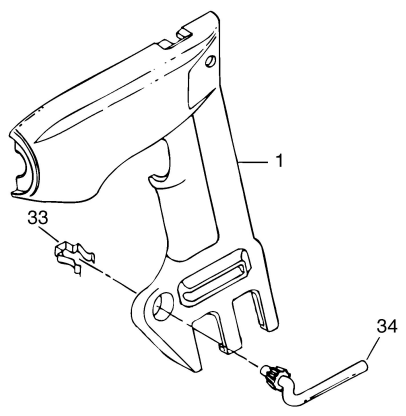
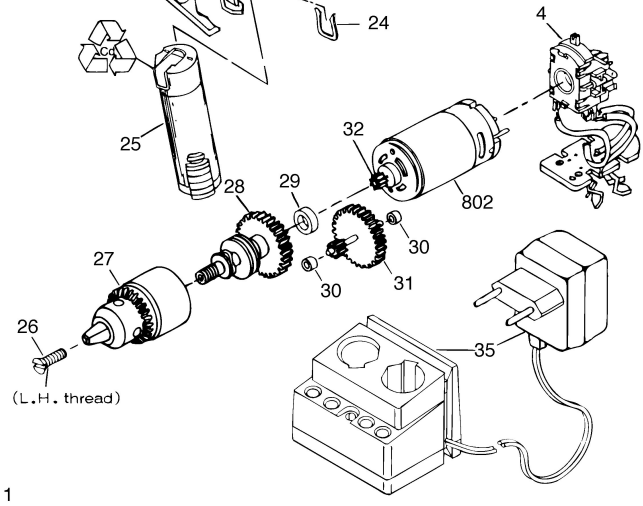


WARNING! Electrical repairs should be attempted only by trained repairmen. Contact the nearest SKIL Service Center or other competent repair service.



Änderungen vorbehalten
 Modifications reserved
 Modificaciones reservées
 Salvo modificaciones

F0152072.A11