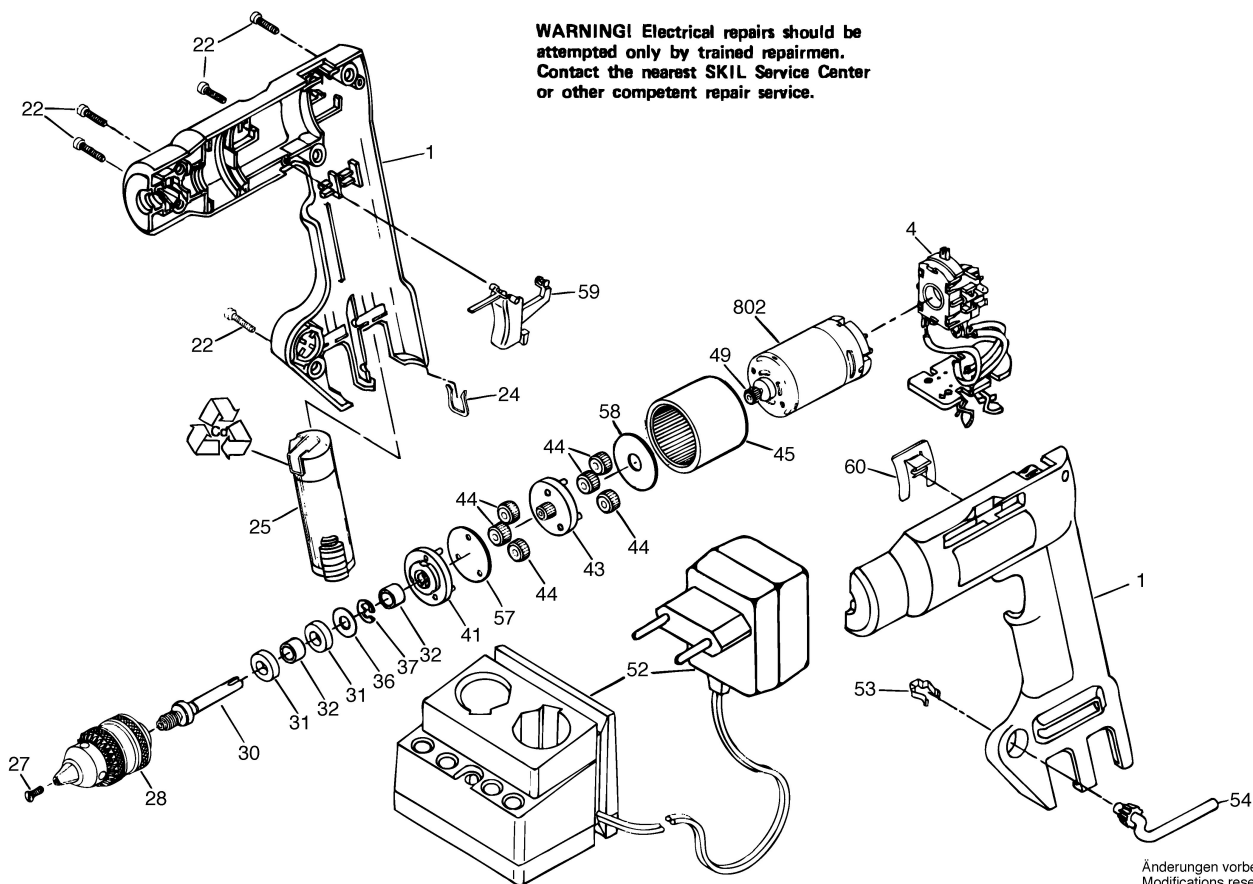


**WARNING!** Electrical repairs should be attempted only by trained repairmen. Contact the nearest SKIL Service Center or other competent repair service.



F0152172A11

Änderungen vorbehalten  
Modifications reserved  
Modifications reserves  
Salvo modificaciones