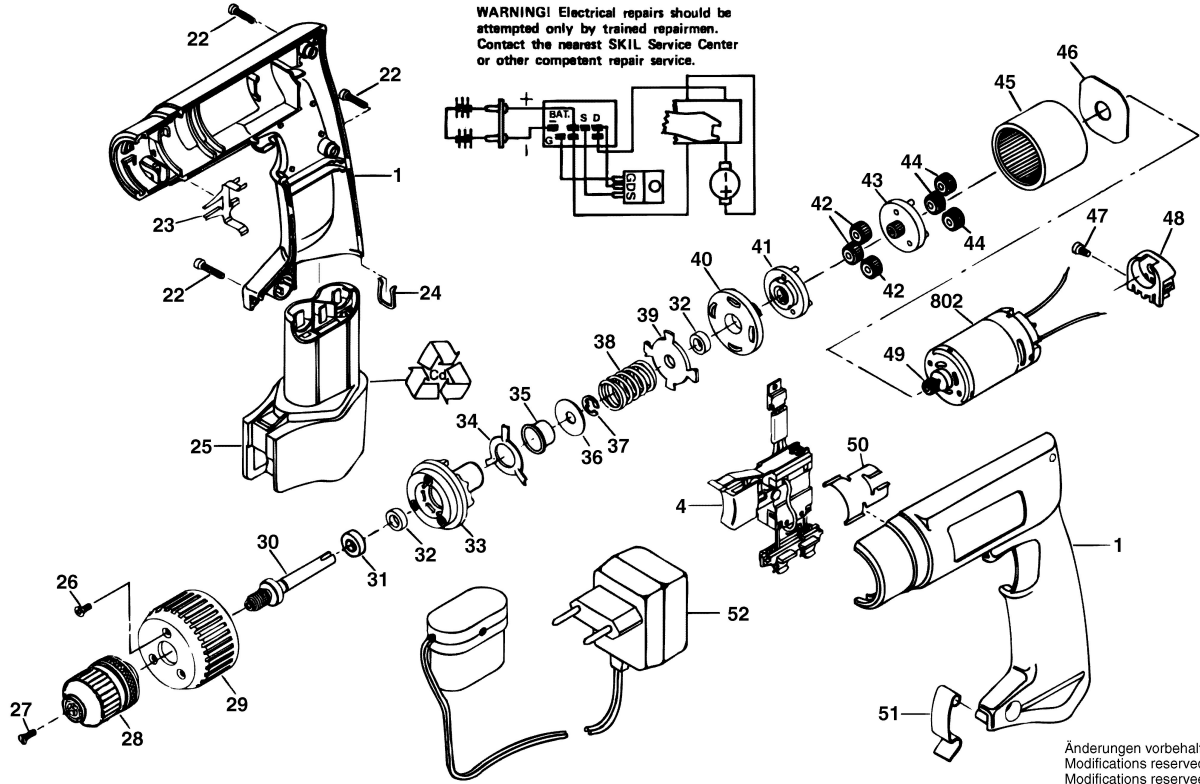


Fig./Abb. 1



WARNING! Electrical repairs should be attempted only by trained repairmen. Contact the nearest SKIL Service Center or other competent repair service.

Änderungen vorbehalten
Modifications reserved
Modifications reserves
Salvo modificaciones