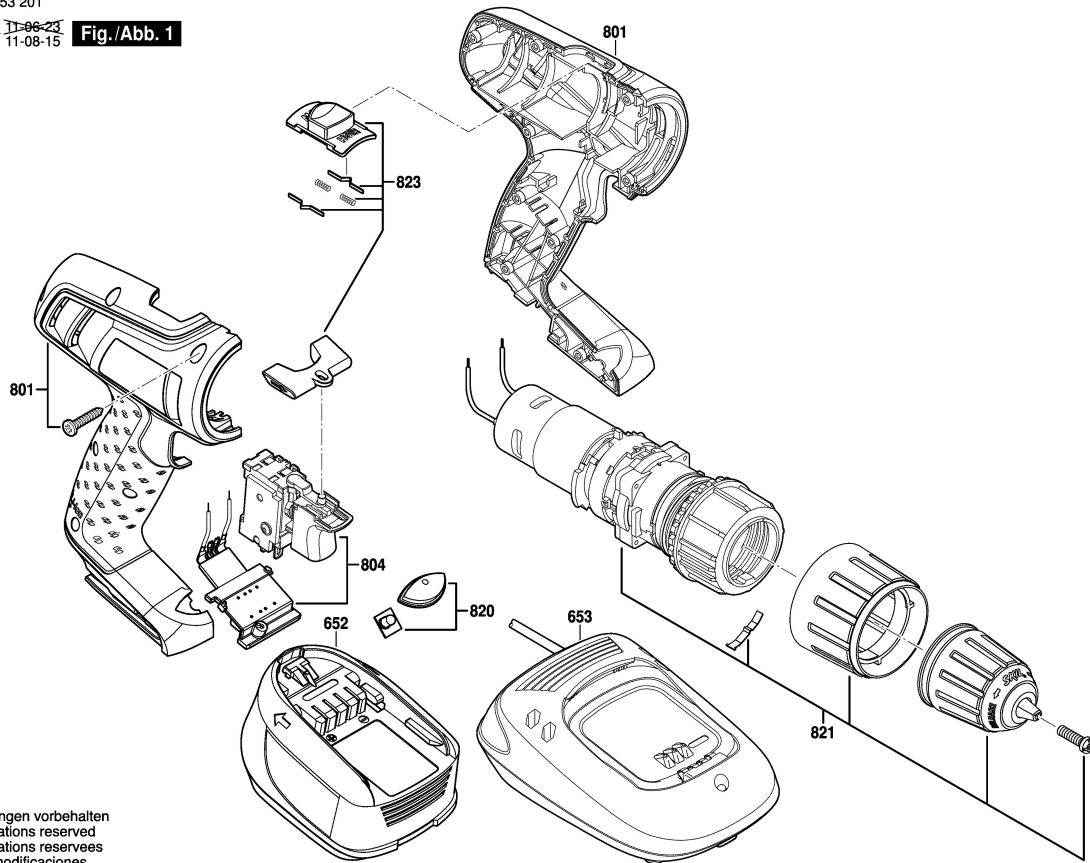


F 015 253 201

Stand } 11-08-23  
Issue } 11-08-15

**Fig./Abb. 1**



Änderungen vorbehalten  
Modifications reserved  
Modifications reserves  
Salvo modificaciones