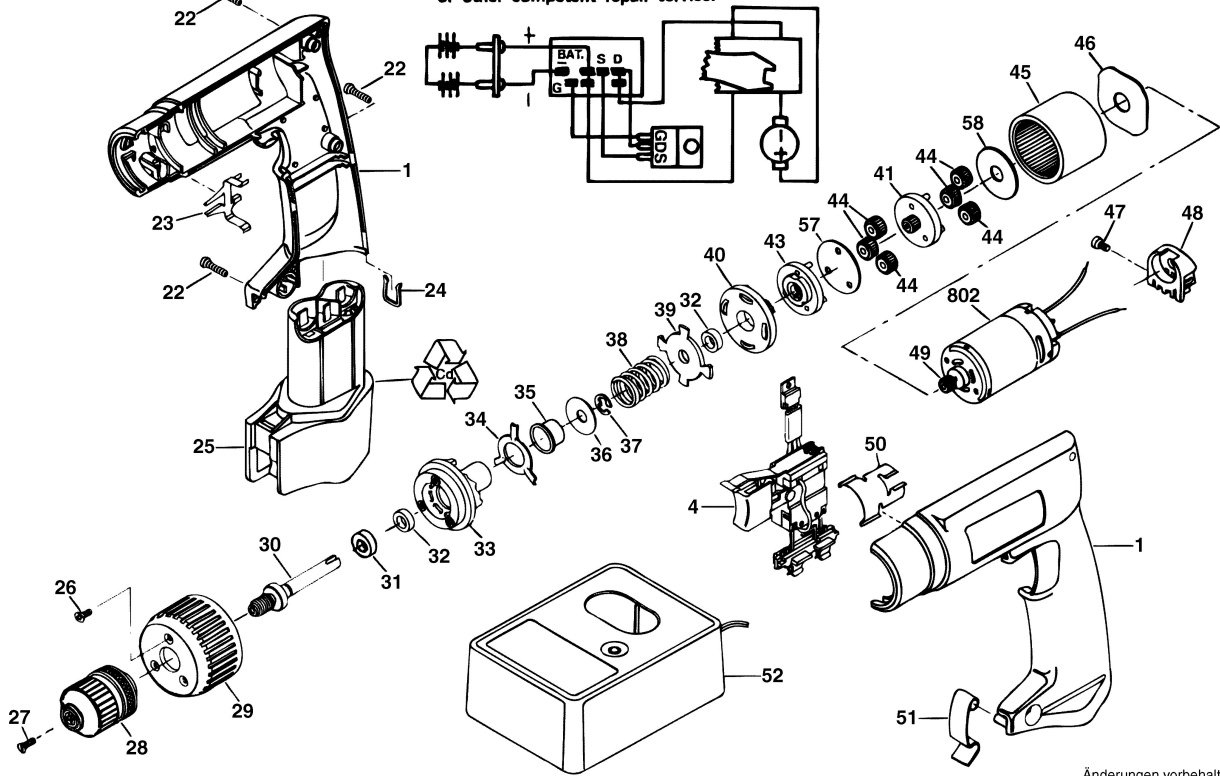


**Fig./Abb. 1**

**WARNING!** Electrical repairs should be attempted only by trained repairmen. Contact the nearest SKIL Service Center or other competent repair service.



Änderungen vorbehalten  
 Modifications reserved  
 Modifications reserves  
 Salvo modificaciones