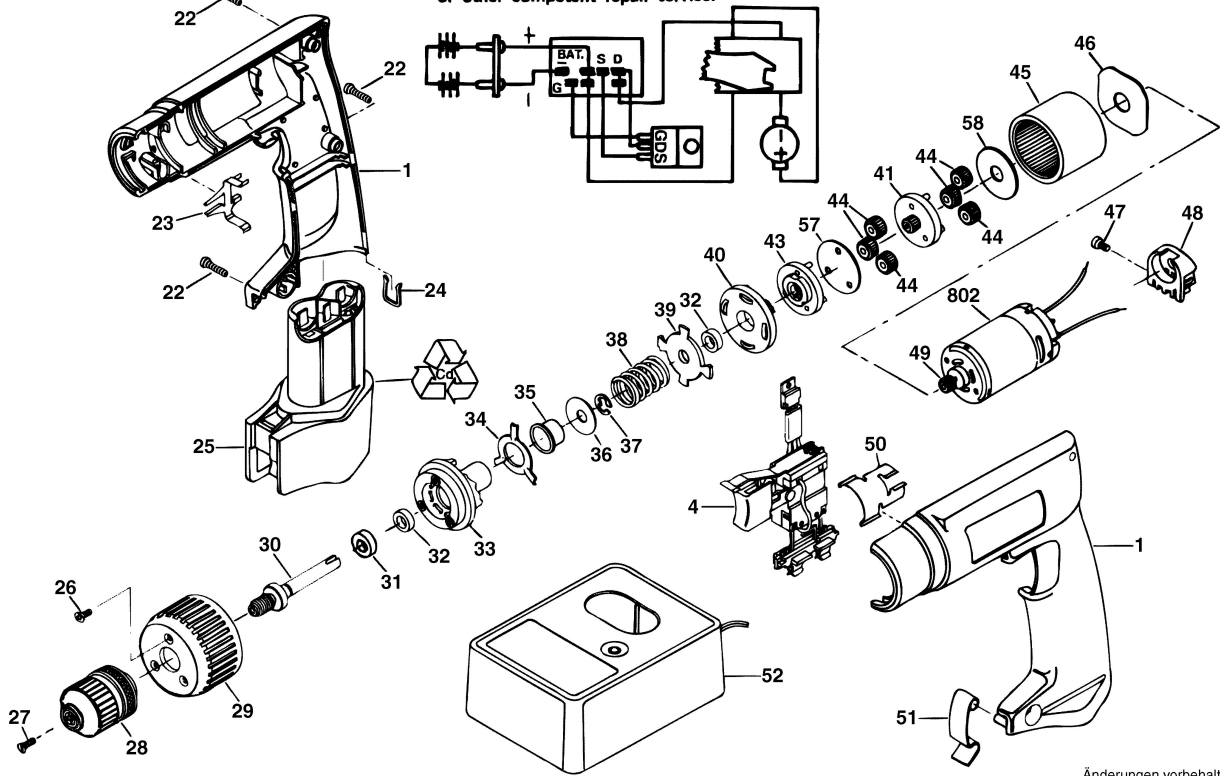


Fig./Abb. 1

**WARNING!** Electrical repairs should be attempted only by trained repairmen. Contact the nearest SKIL Service Center or other competent repair service.



Änderungen vorbehalten  
Modifications reserved  
Modifications reserves  
Salvo modificaciones