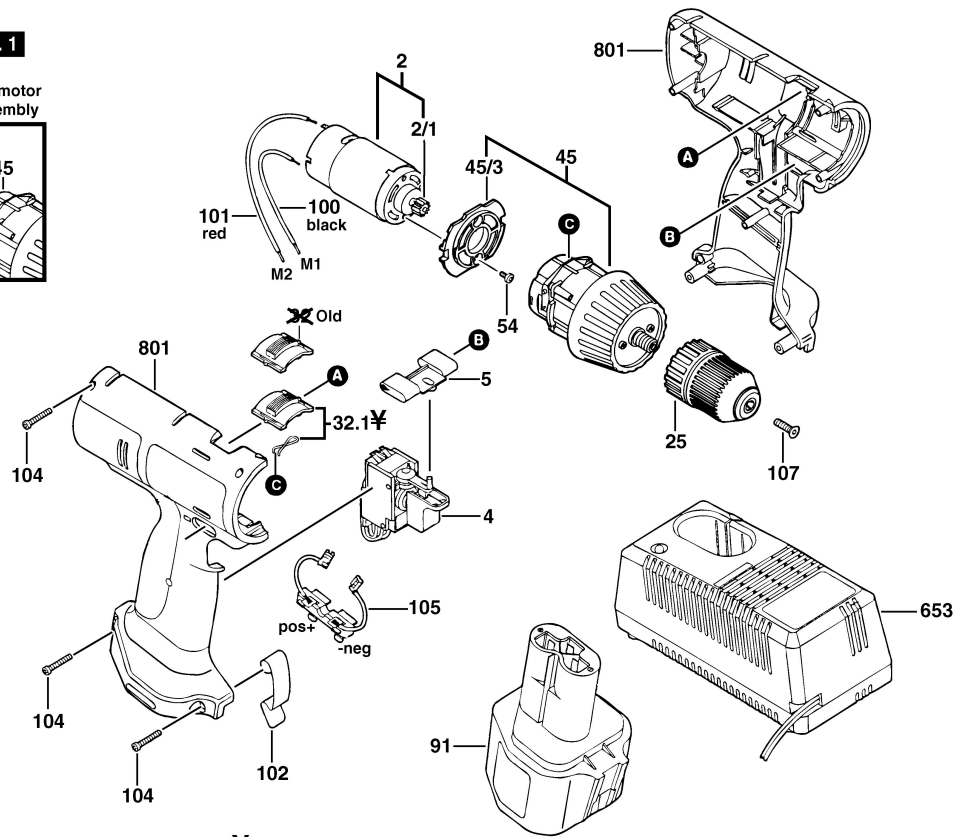
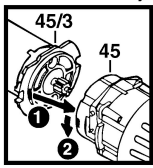


Fig./Abb. 1

assembly of motor
 to drive assembly



Änderungen vorbehalten
 Modifications reserved
 Modifications reserves
 Salvo modificaciones

Service Notes: ¥ Position 32.1 is for newer produced tools only and not directly interchangeable with position 32.
 All tools containing position 32 must be updated by replacing position 801.