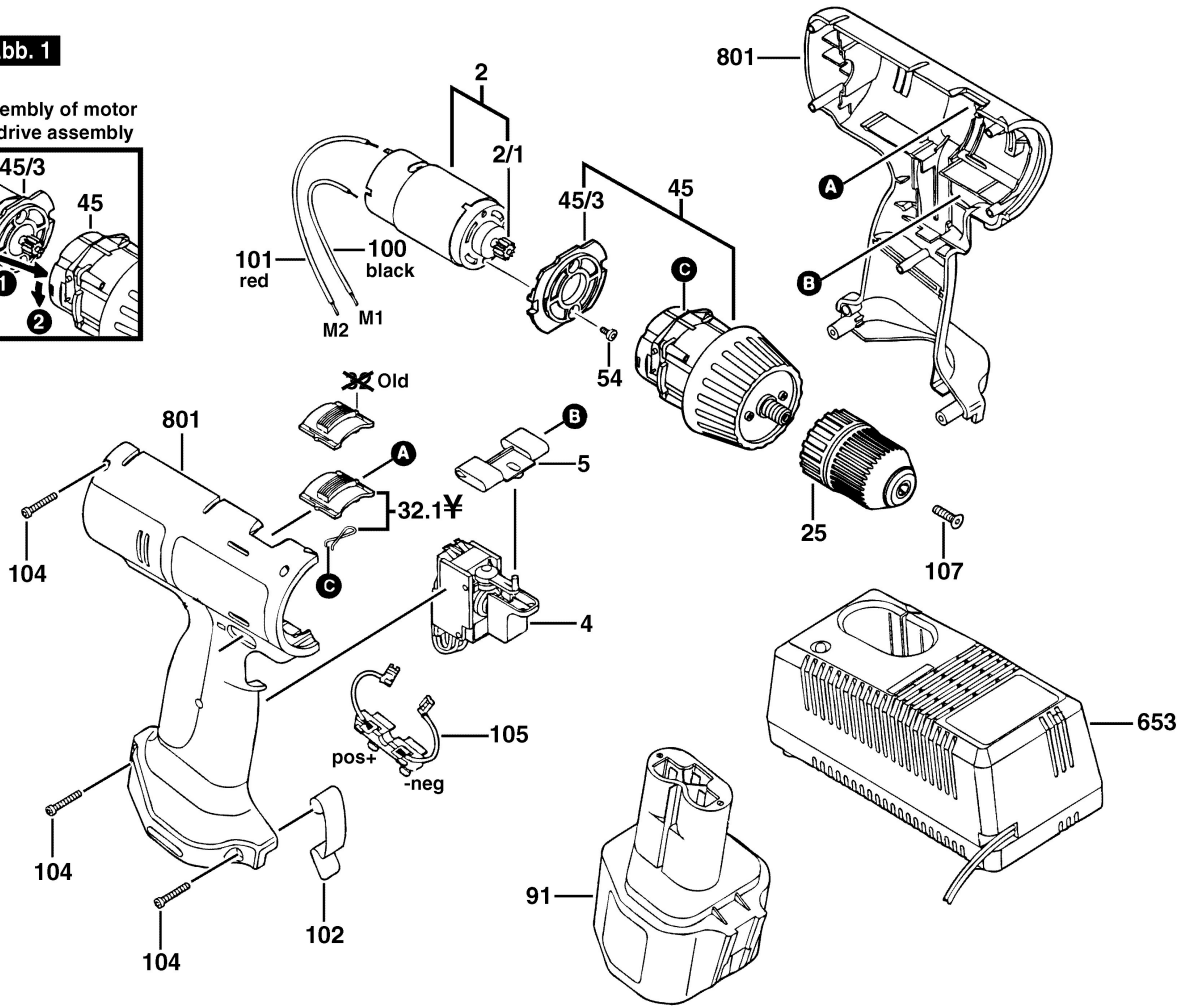
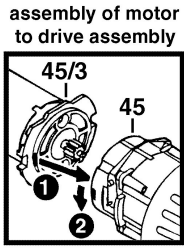


Fig./Abb. 1



Änderungen vorbehalten
Modifications reserved
Modificaciones reservadas
Salvo modificaciones

Service Notes: ¥ Position 32.1 is for newer produced tools only and not directly interchangeable with position 32.
All tools containing position 32 must be updated by replacing position 801.