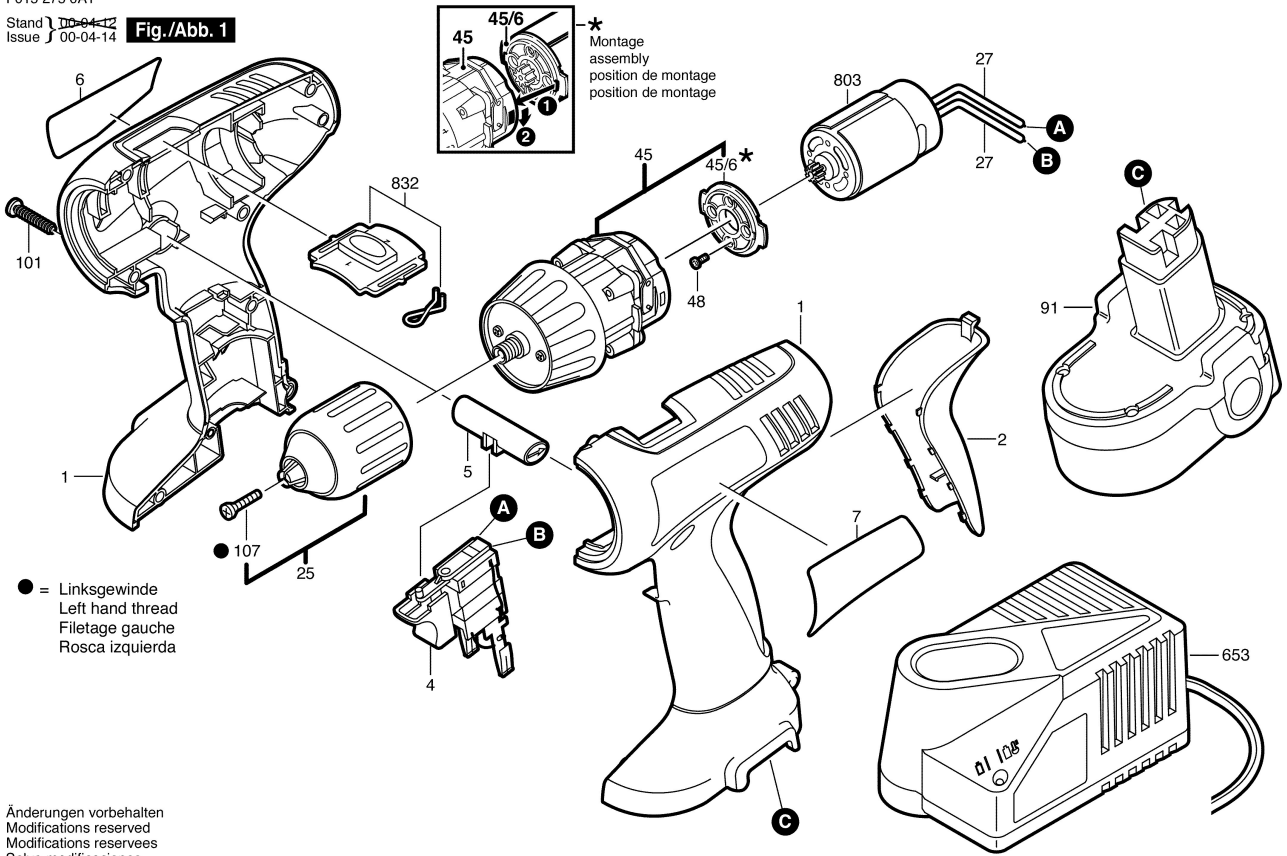


F015 275 0A1

Stand 10-04-12
Issue 00-04-14

Fig./Abb. 1



Änderungen vorbehalten
Modifications reserved
Modifications reserves
Salvo modificaciones