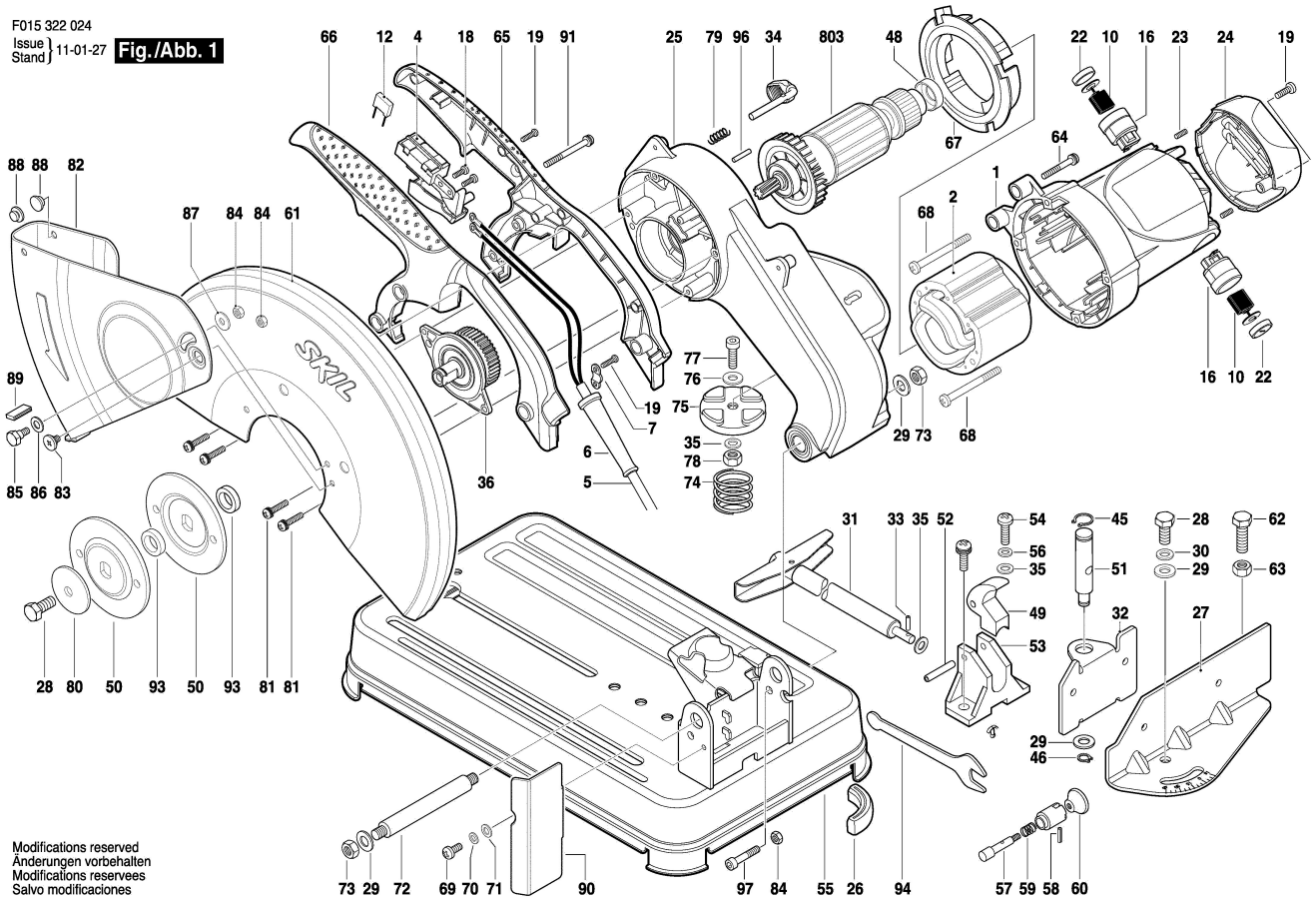


F015 322 024
Issue 11-01-27
Standj

Fig./Abb. 1



Modifications reserved
Änderungen vorbehalten
Modifications reserves
Salvo modificaciones