

Fig./Abb. 1

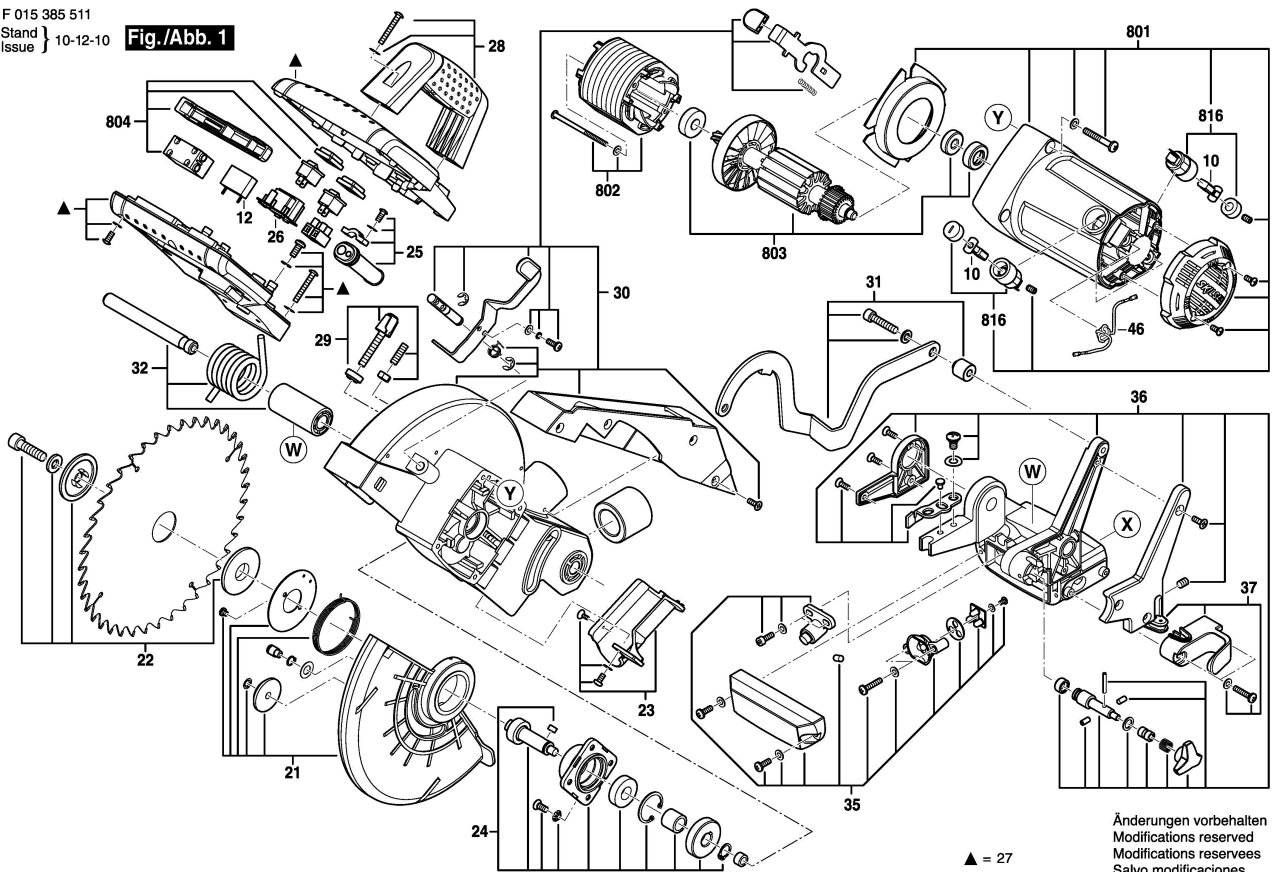
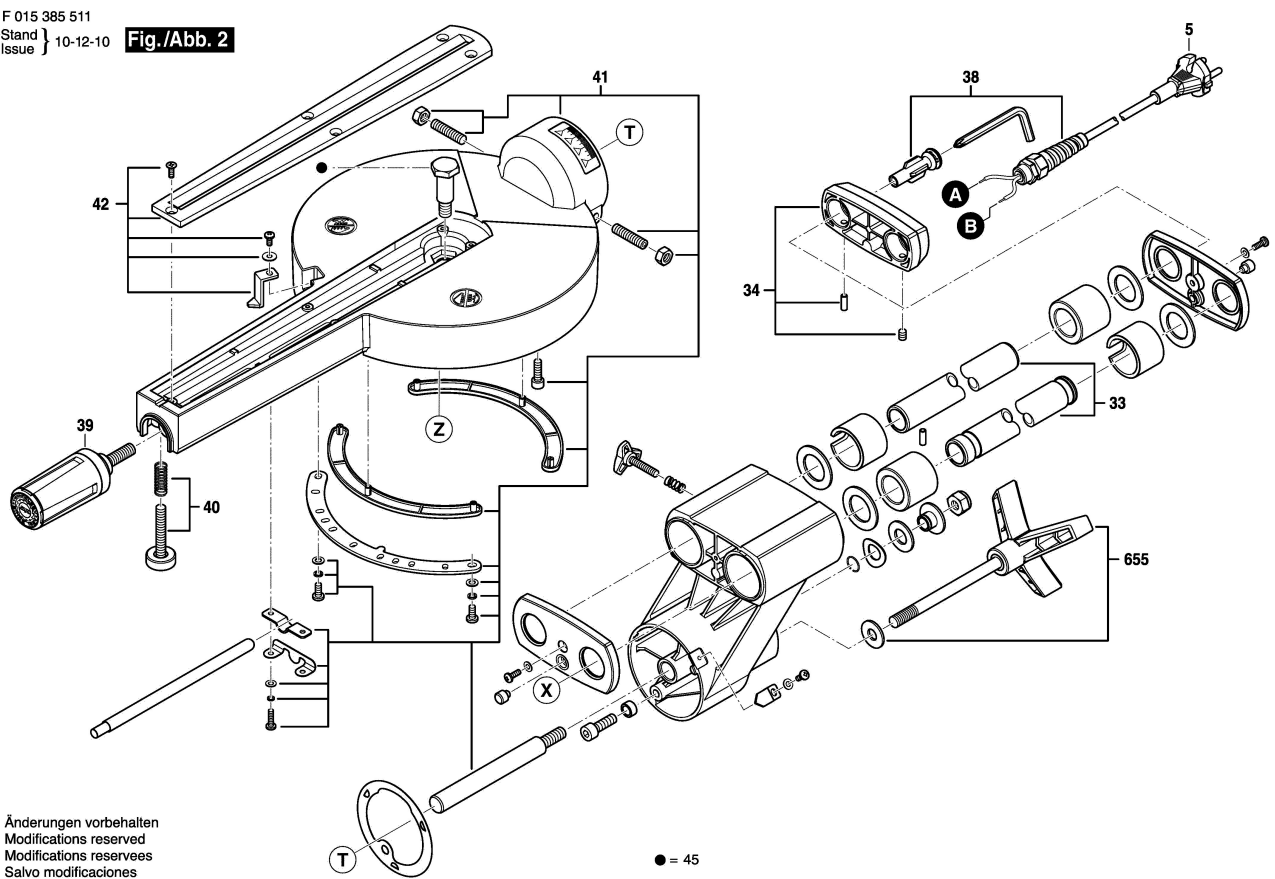
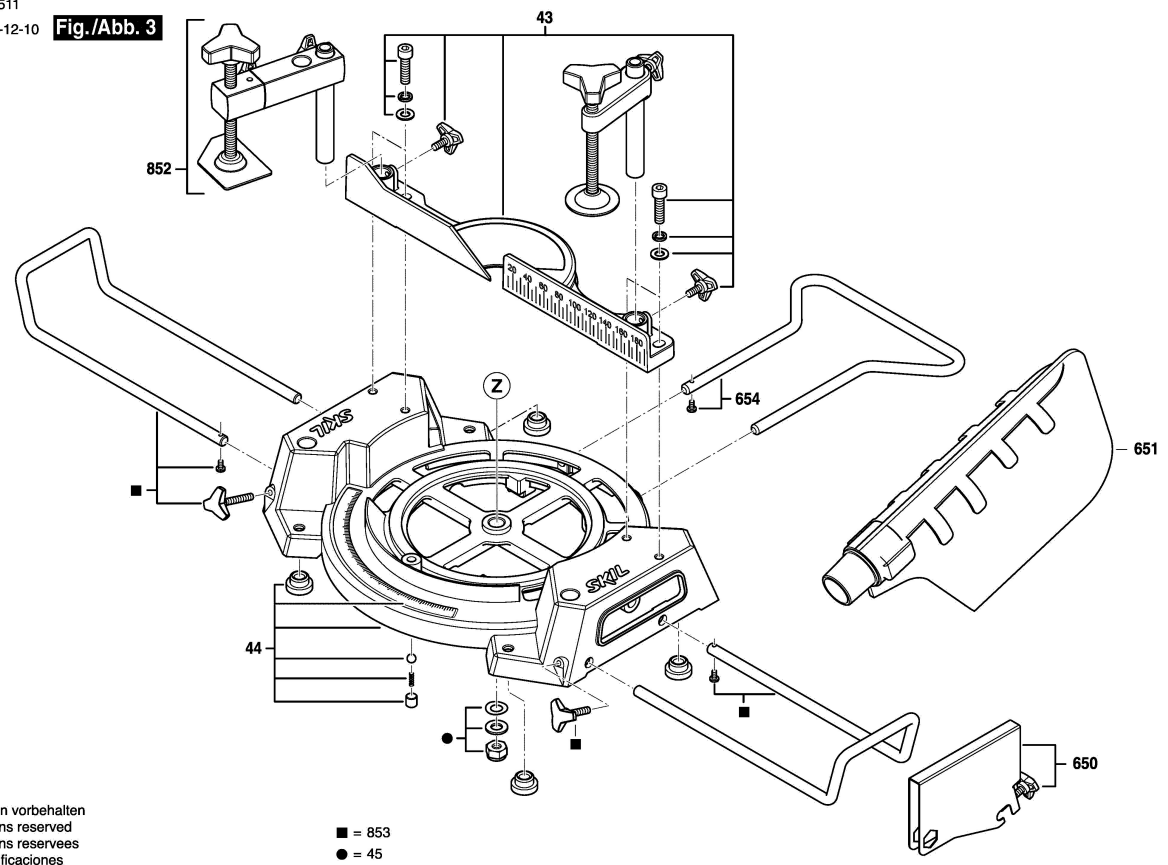


Fig./Abb. 2



F 015 385 511
Stand } 10-12-10
Issue }

Fig./Abb. 3



Änderungen vorbehalten
Modifications reserved
Modificacions reserves
Salvo modificaciones

■ = 853
● = 45