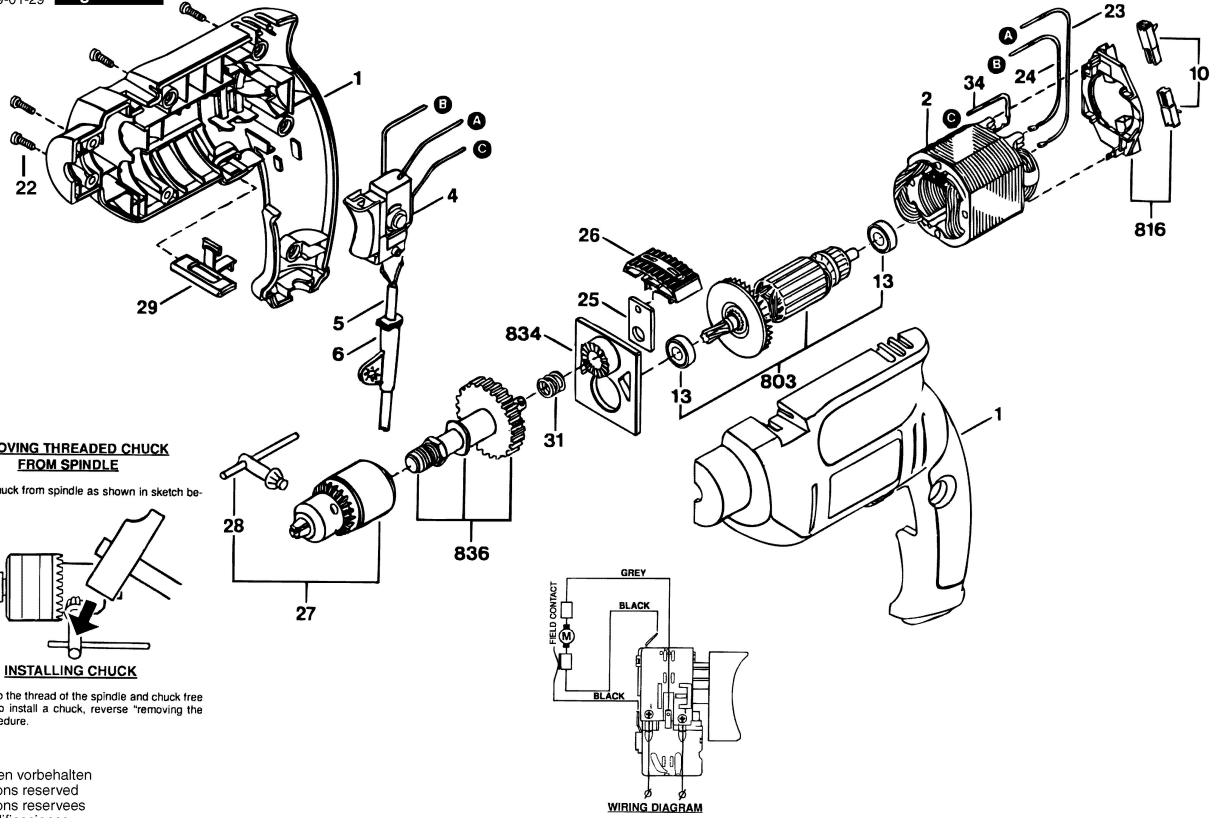


F 015 604 0A1

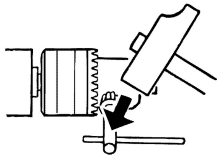
Stand 38-42
Issue 99-01-29

Fig./Abb. 1



REMOVING THREADED CHUCK FROM SPINDLE

Unthread chuck from spindle as shown in sketch below.



INSTALLING CHUCK

Always keep the thread of the spindle and chuck free of debris. To install a chuck, reverse "removing the chuck" procedure.

Änderungen vorbehalten
Modifications reserved
Modificaciones reserves
Salvo modificaciones