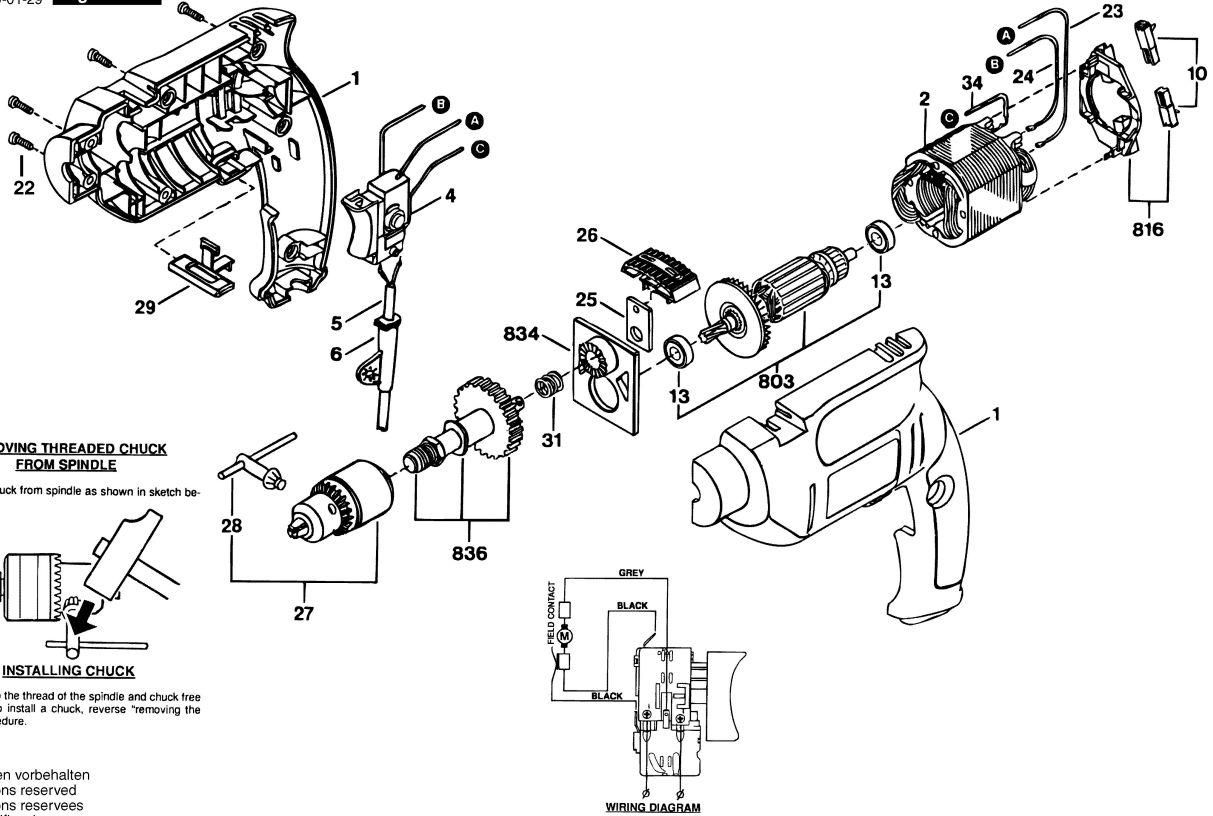
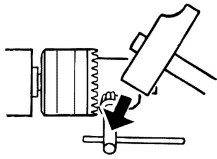


Fig./Abb. 1



REMOVING THREADED CHUCK FROM SPINDLE

Unthread chuck from spindle as shown in sketch below.



INSTALLING CHUCK

Always keep the thread of the spindle and chuck free of debris. To install a chuck, reverse "removing the chuck" procedure.

Änderungen vorbehalten
 Modifications reserved
 Modifications reserves
 Salvo modificaciones