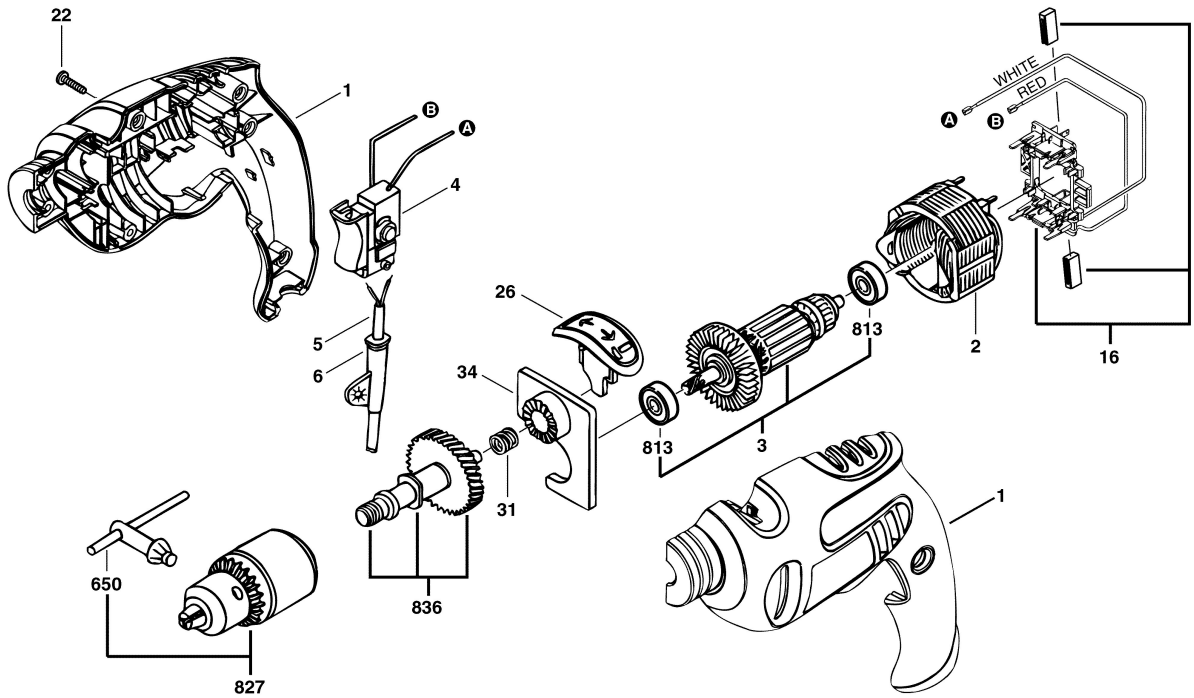


F 015 631 0A1

Stand ~~1~~
Issue ~~J~~ 02-10-01

Abb./Fig. 1



Änderungen vorbehalten
Modifications reserved
Modifications reserves
Salvo modificaciones