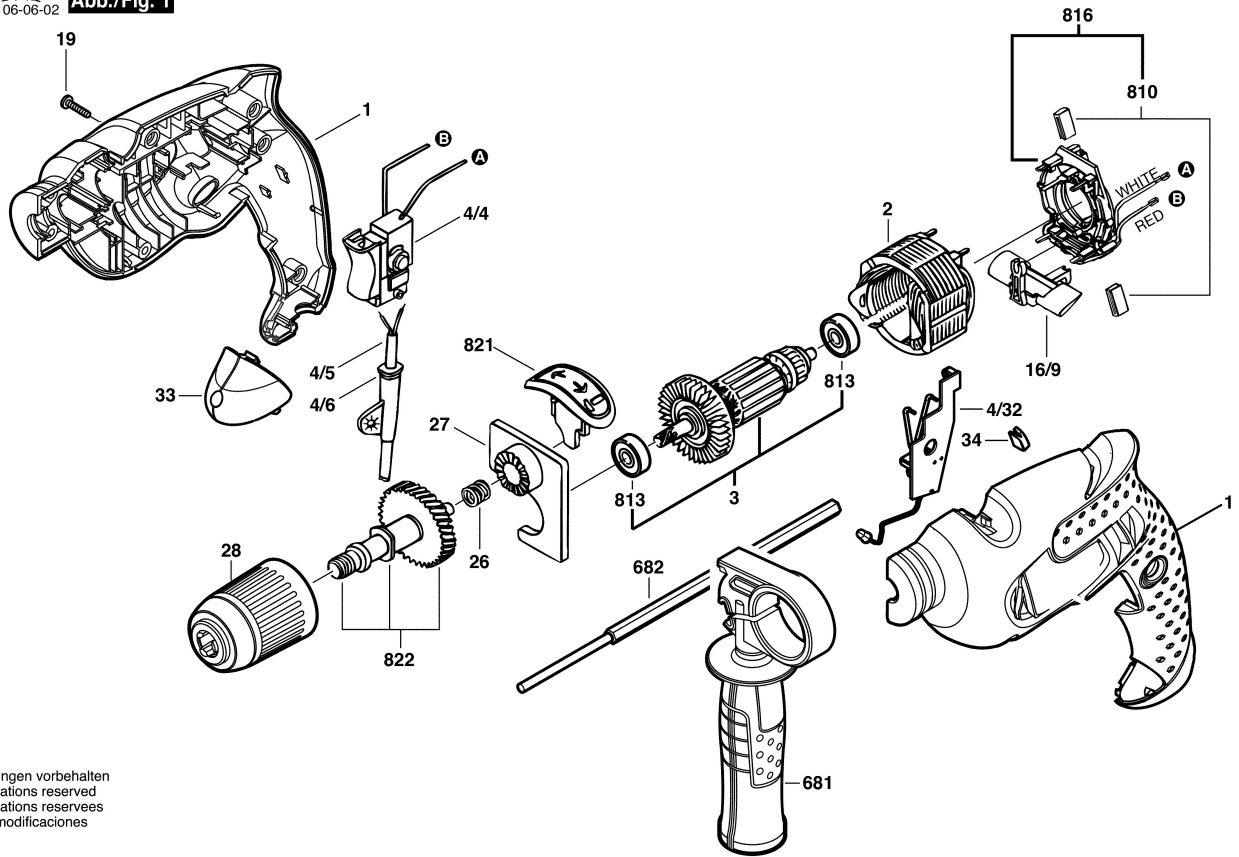


F 015 639 001

Stand ~~1~~  
Issue ~~J~~ 06-06-02

**Abb./Fig. 1**



Änderungen vorbehalten  
Modifications reserved  
Modifications reserves  
Salvo modificaciones