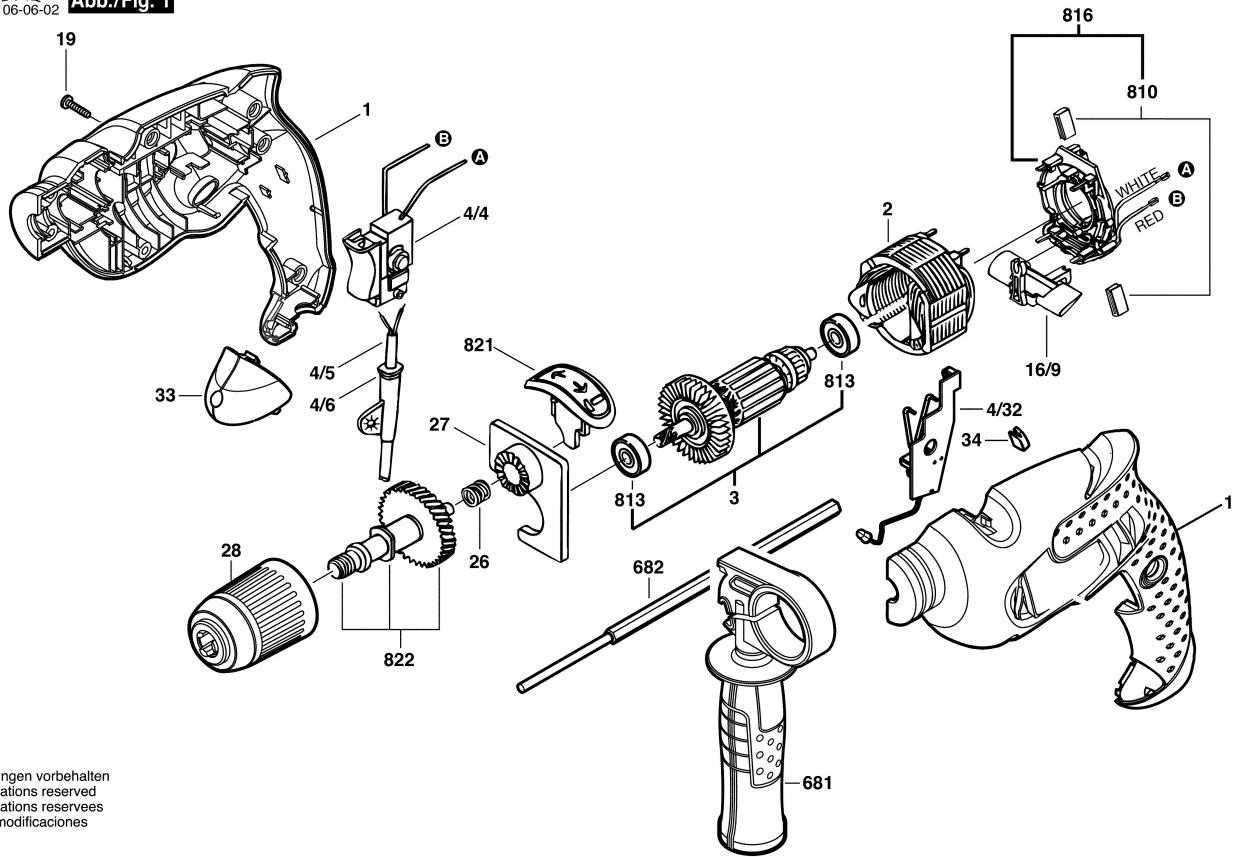


F 015 639 001

Stand ~~1~~
Issue ~~J~~ 06-06-02

Abb./Fig. 1



Änderungen vorbehalten
Modifications reserved
Modifications reserves
Salvo modificaciones