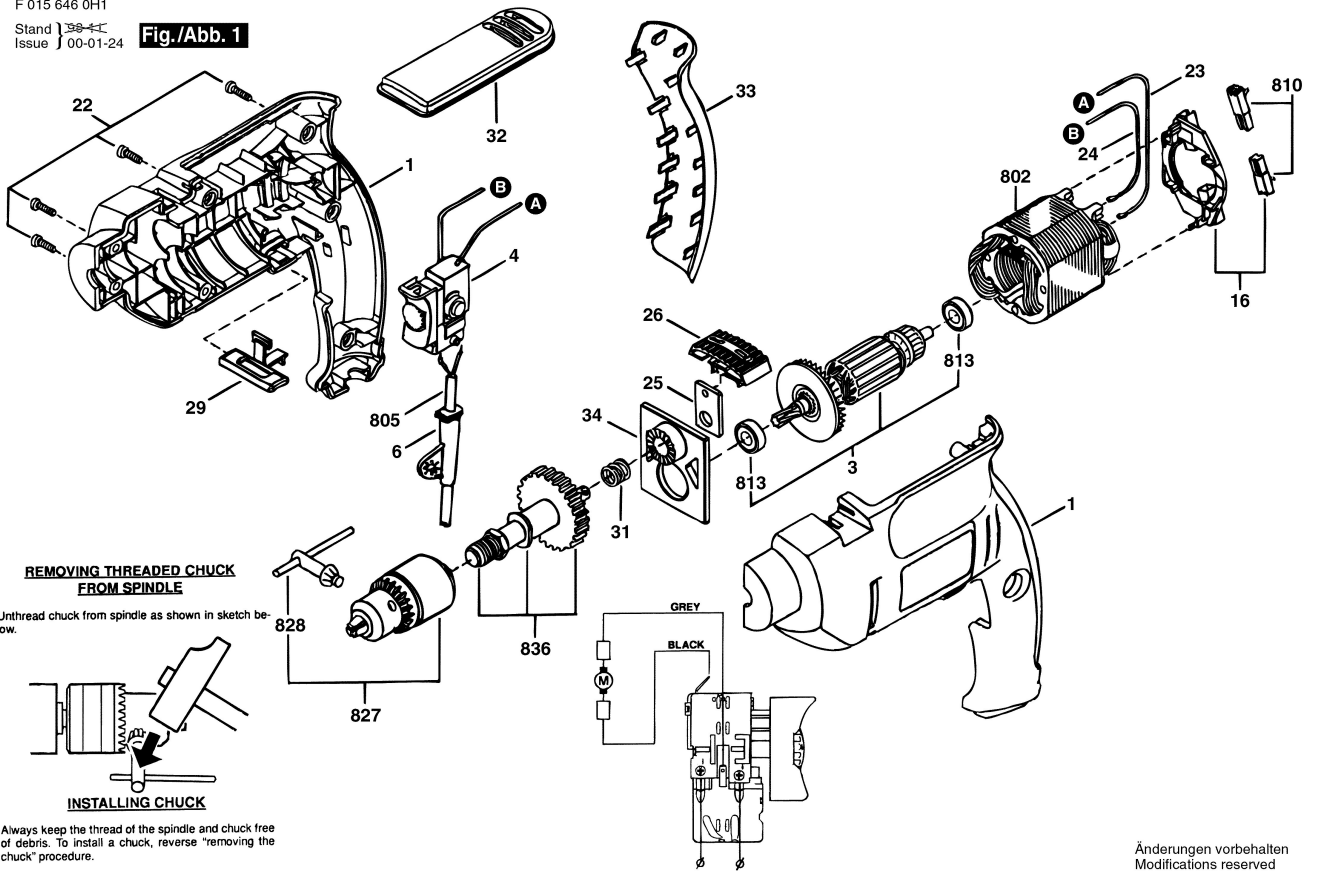
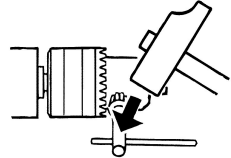


**Fig./Abb. 1**



**REMOVING THREADED CHUCK FROM SPINDLE**

Unthread chuck from spindle as shown in sketch below.



**INSTALLING CHUCK**

Always keep the thread of the spindle and chuck free of debris. To install a chuck, reverse "removing the chuck" procedure.

**WIRING DIAGRAM**

Änderungen vorbehalten  
 Modifications reserved  
 Modifications reserves  
 Salvo modificaciones