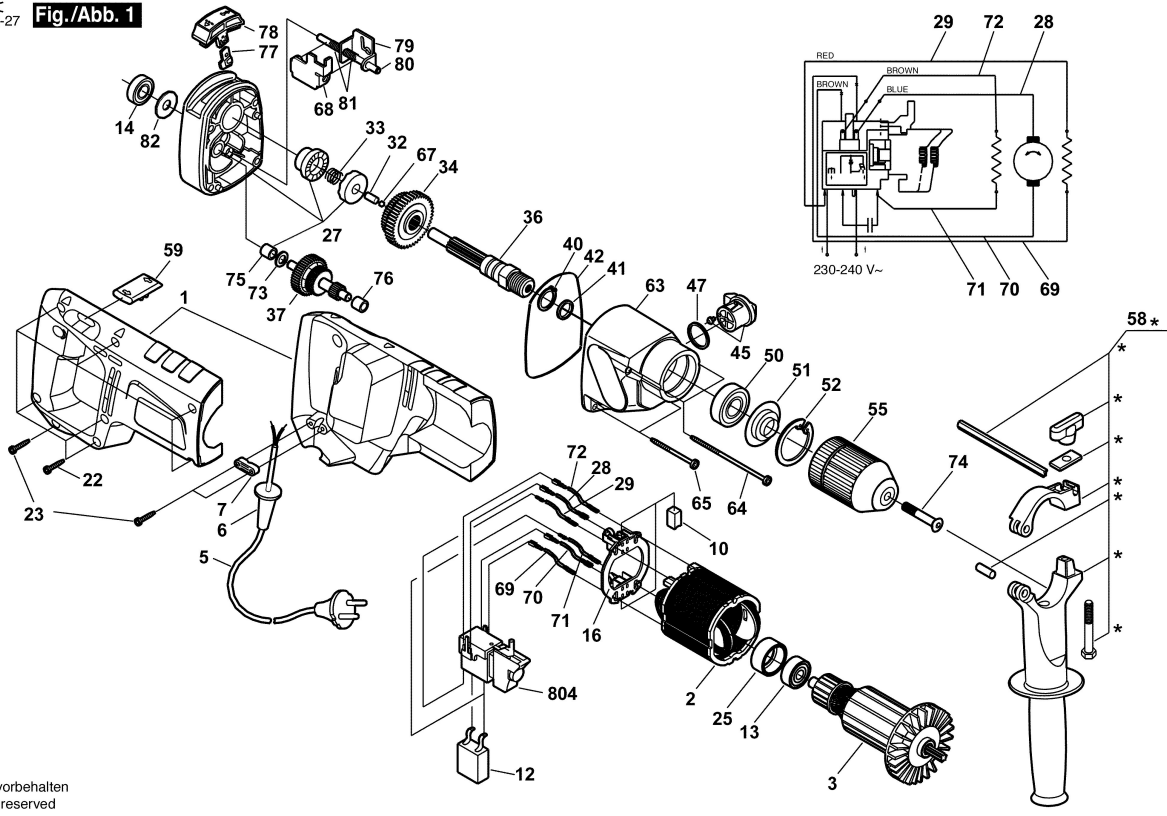


F 015 649 0S1
 Stand 12-95
 Issue J 03-02-27

Fig./Abb. 1



Änderungen vorbehalten
 Modifications reserved
 Modifications reserves
 Salvo modificaciones