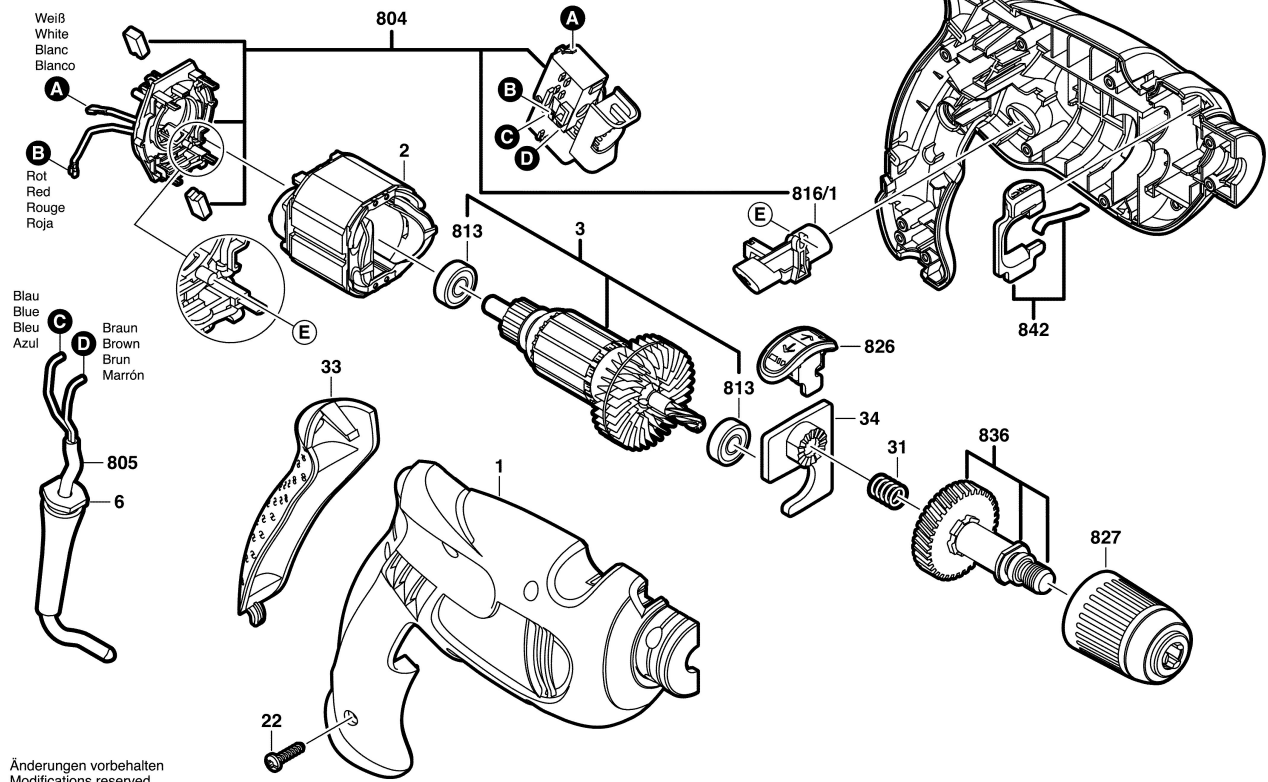


F 015 689 001
 Stand 12-09-07
 Issue 07-03-14

Fig./Abb. 1



Änderungen vorbehalten
 Modifications reserved
 Modifications reserves
 Salvo modificaciones