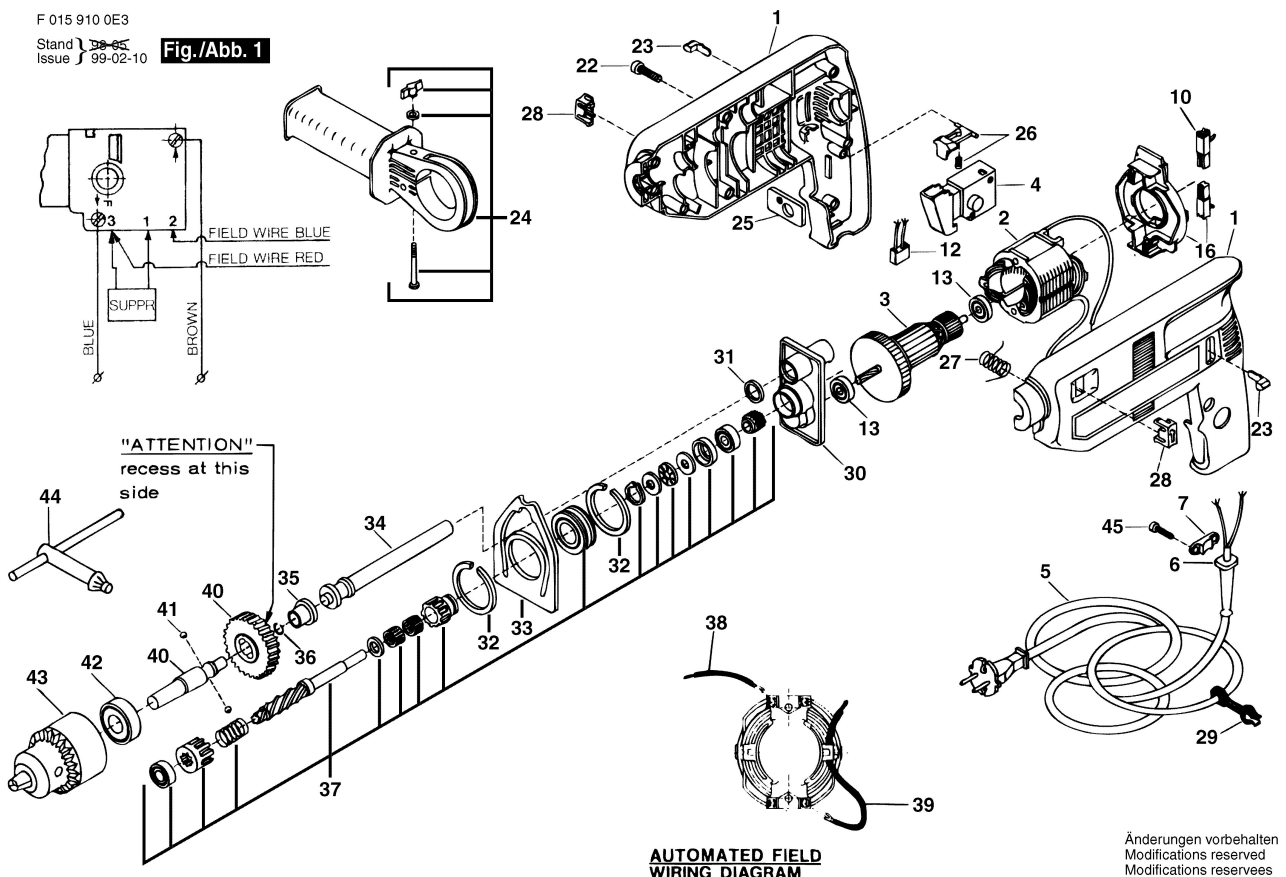


F 015 910 0E3
 Stand 1 99-02
 Issue J 99-02-10

Fig./Abb. 1



AUTOMATED FIELD WIRING DIAGRAM

Änderungen vorbehalten
 Modifications reserved
 Modifications reserves
 Salvo modificaciones