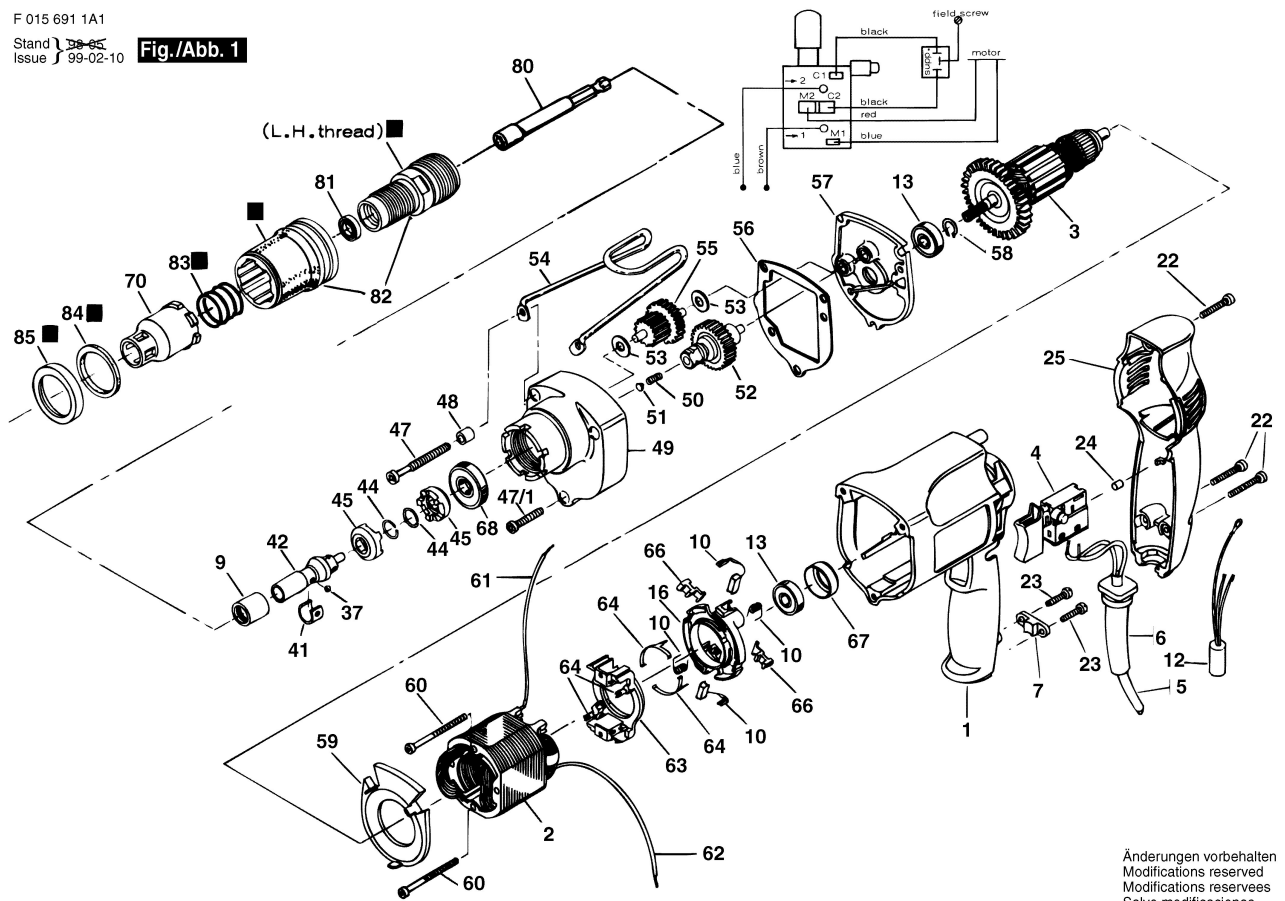


F 015 691 1A1

Stand 38-85  
Issue 99-02-10

Fig./Abb. 1



Änderungen vorbehalten  
Modifications reserved  
Modifications reserves  
Salvo modificaciones