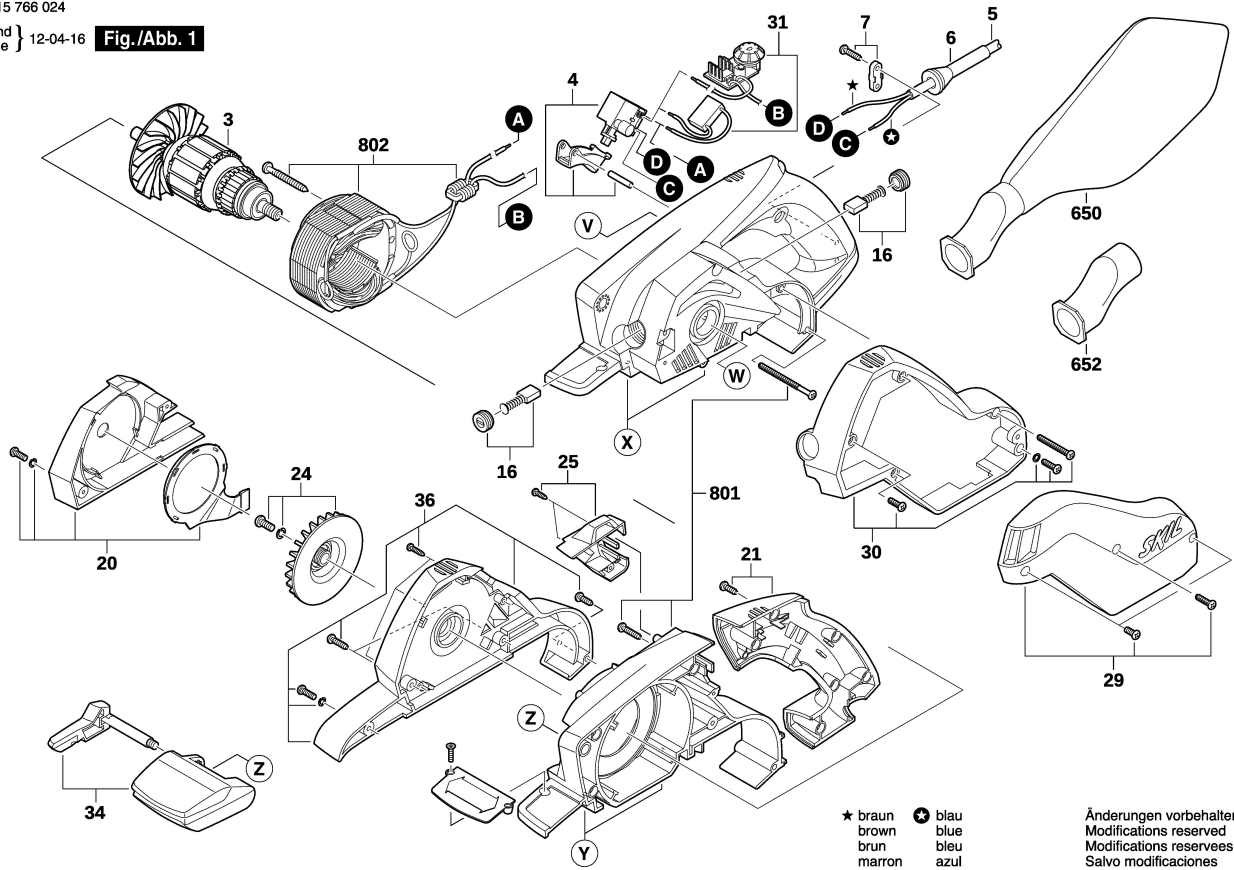


F 015 766 024

Stand 12-04-16
Issue J

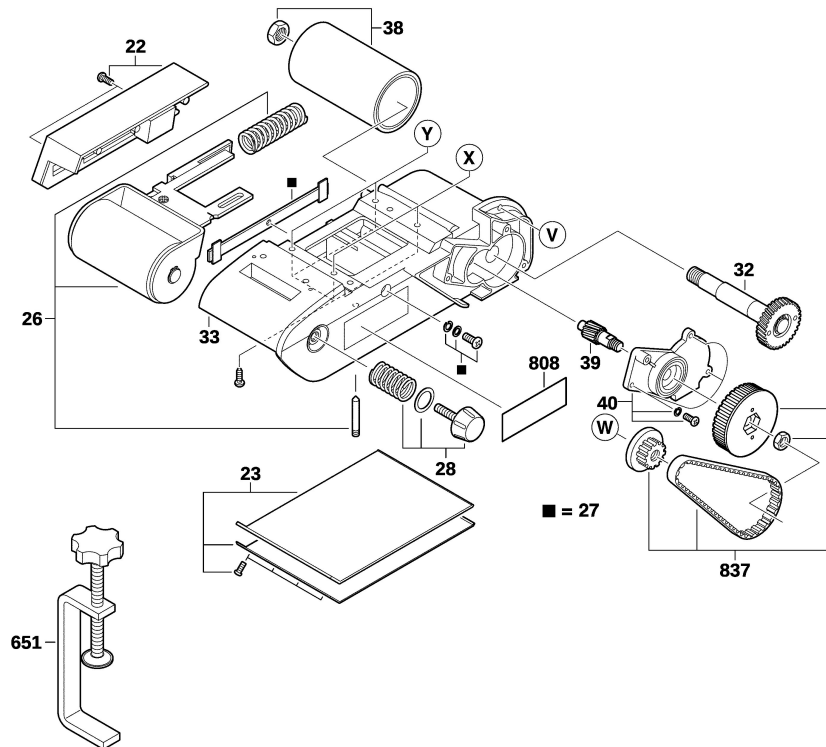
Fig./Abb. 1



F 015 766 024

Stand 14-01-30
Issue J

Fig./Abb. 2



Änderungen vorbehalten
Modifications reserved
Modifications reserves
Salvo modificaciones