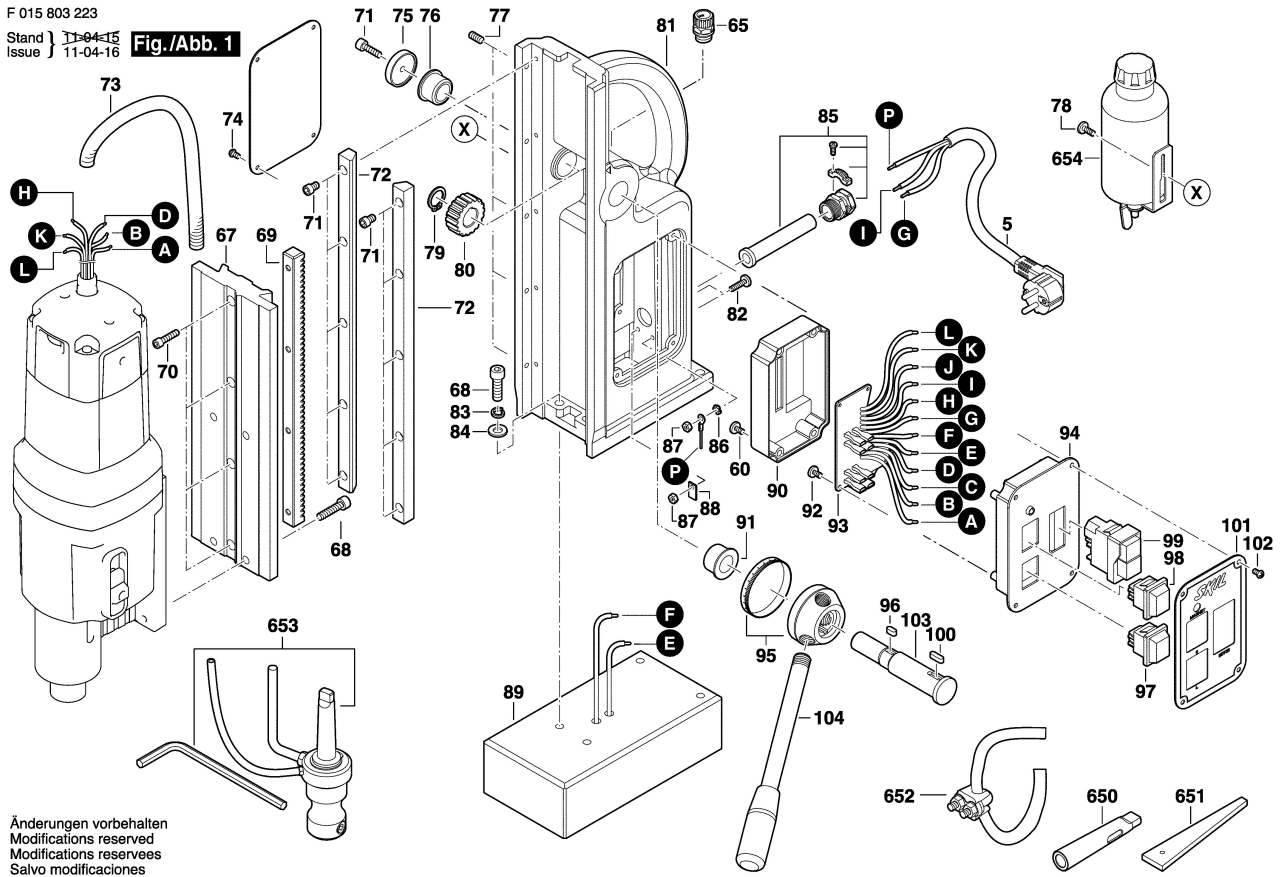


F 015 803 223

Stand 11-04-15  
Issue 11-04-16

Fig./Abb. 1



F 015 803 223

Stand 13-06-11  
Issue 13-06-11

Fig./Abb. 2

