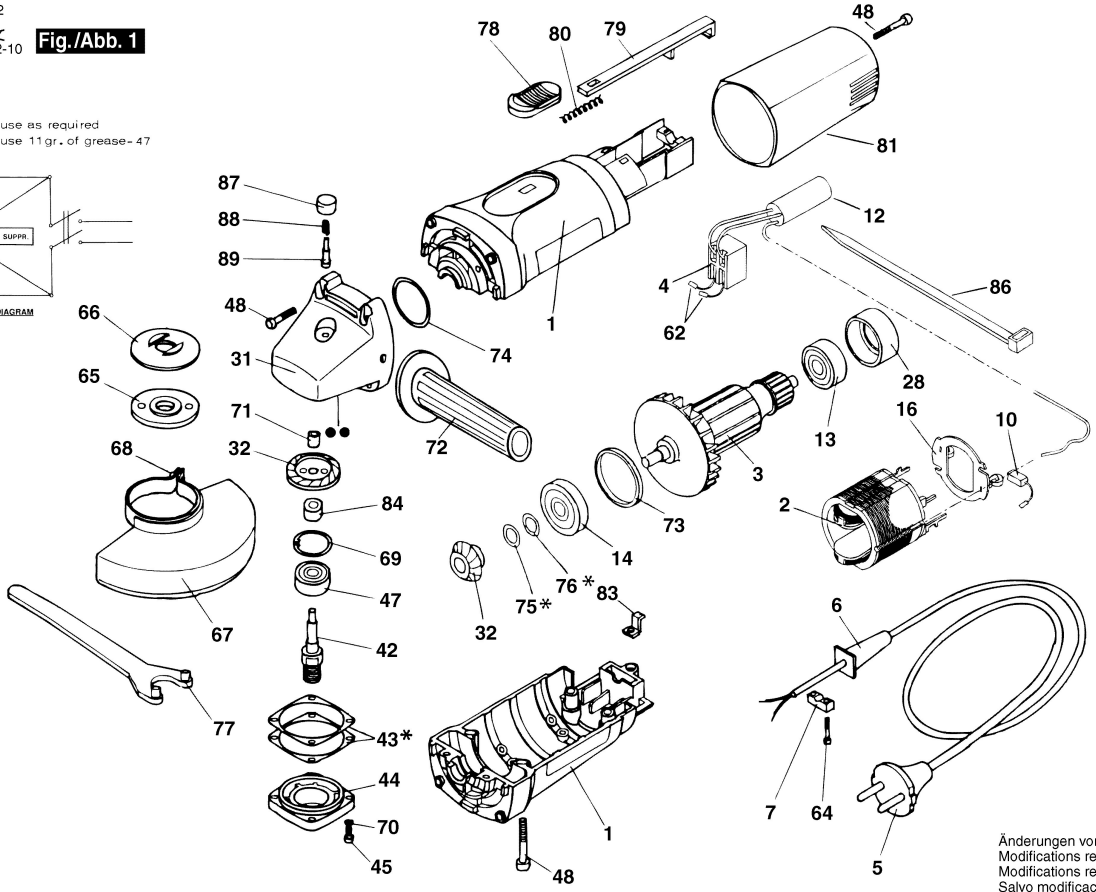
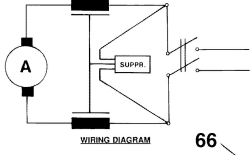


Fig./Abb. 1

\* use as required  
 ●● use 11 gr. of grease- 47



Änderungen vorbehalten  
 Modifications reserved  
 Modifications reserves  
 Salvo modificaciones