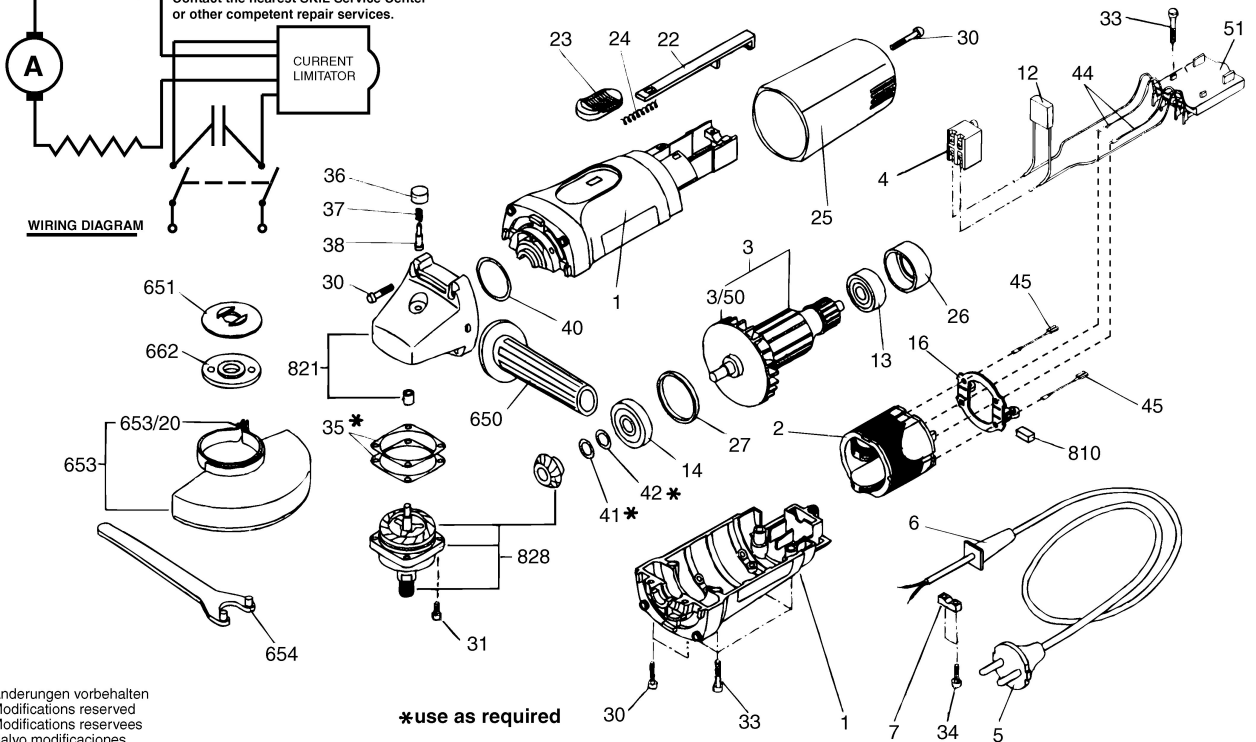
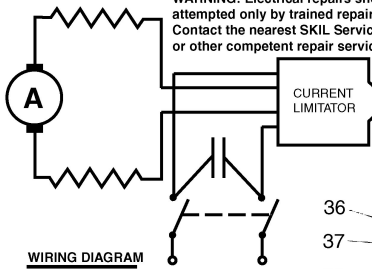


Fig./Abb. 1

WARNING! Electrical repairs should be attempted only by trained repairmen. Contact the nearest SKIL Service Center or other competent repair services.



Änderungen vorbehalten
Modifications reserved
Modifications reserves
Salvo modificaciones

***use as required**