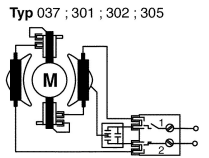
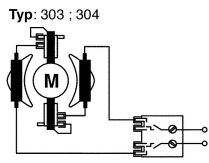
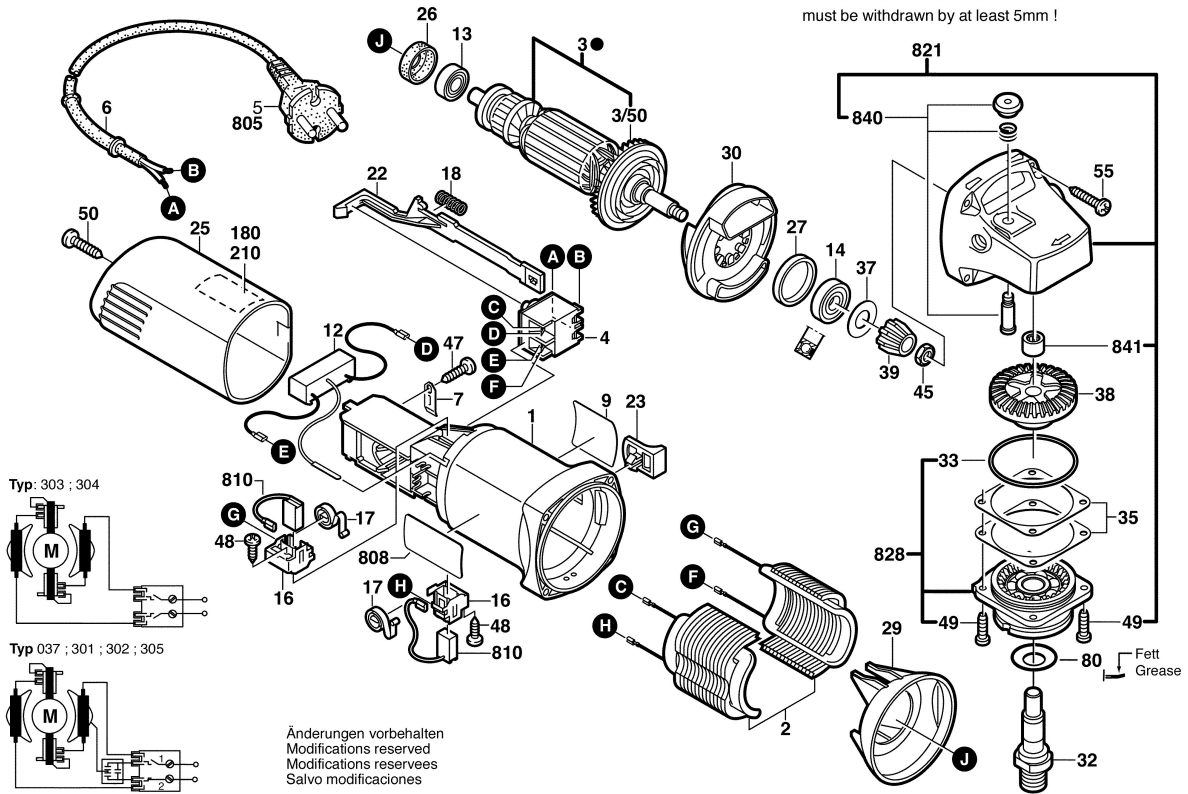


F 015 913 301
 Stand 05-07-21
 Issue

Fig./Abb. 1

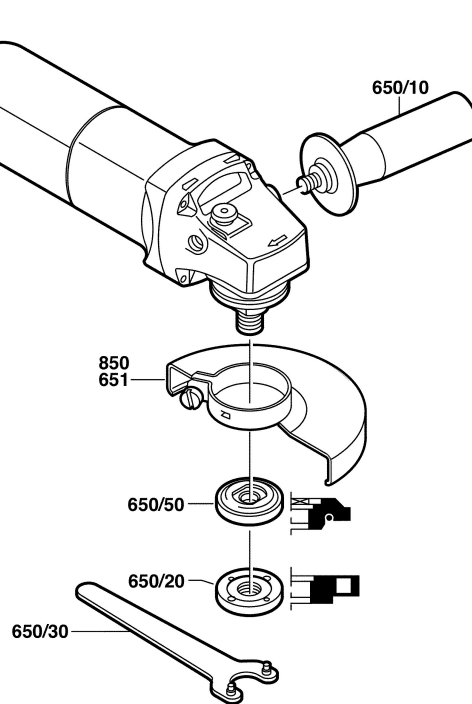
Gerad - Verzahnung

● Vor Demontage des Ankers
 Kohlebürsten 5mm zurückziehen !
 Before the armature is removed the carbon brushes
 must be withdrawn by at least 5mm !



F 015 913 301
 Stand 08-07
 Issue 07-08-09

Fig./Abb. 2



Änderungen vorbehalten
 Modifications reserved
 Modifications reserves
 Salvo modificaciones