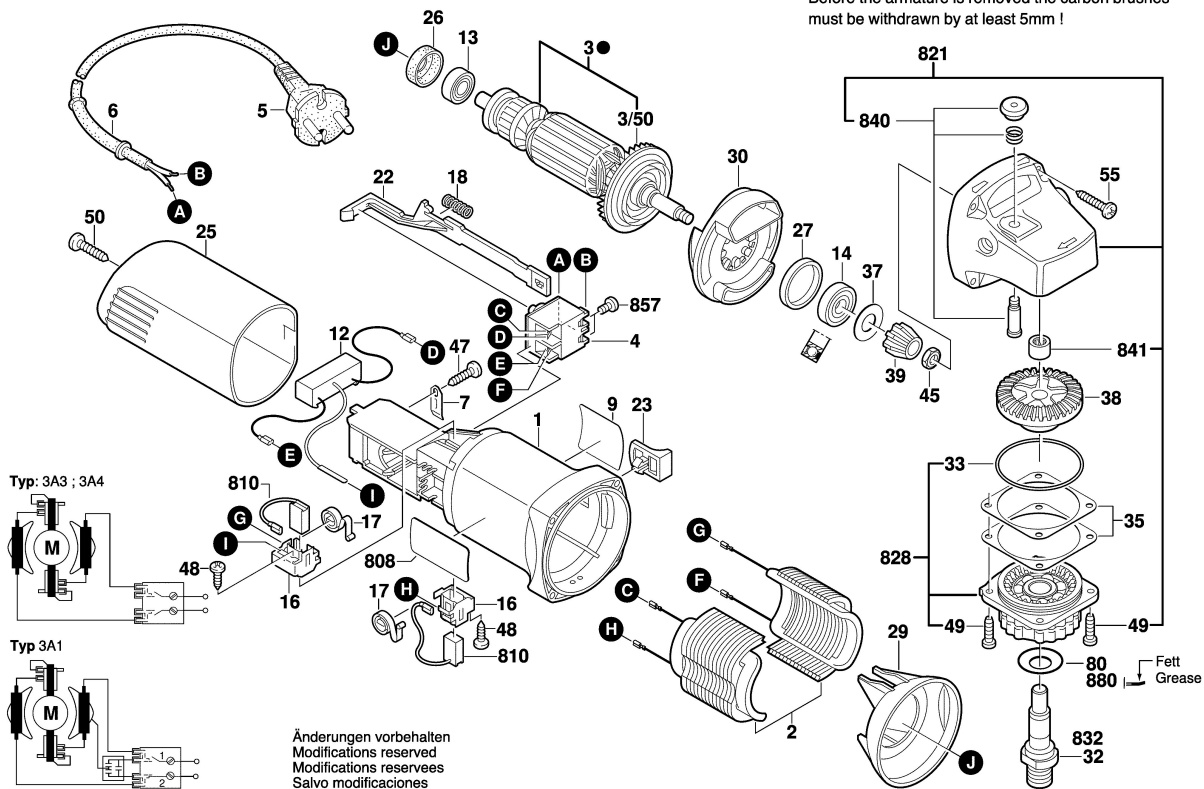


F 015 913 3A4  
 Stand | 08-07  
 Issue | 11-11-10

Fig./Abb. 1

### Gerad - Verzahnung

● Vor Demontage des Ankers  
 Kohlebürsten 5mm zurückziehen !  
 Before the armature is removed the carbon brushes  
 must be withdrawn by at least 5mm !



F 015 913 3A4  
 Stand | 08-07  
 Issue | 09-01-21

Fig./Abb. 2

